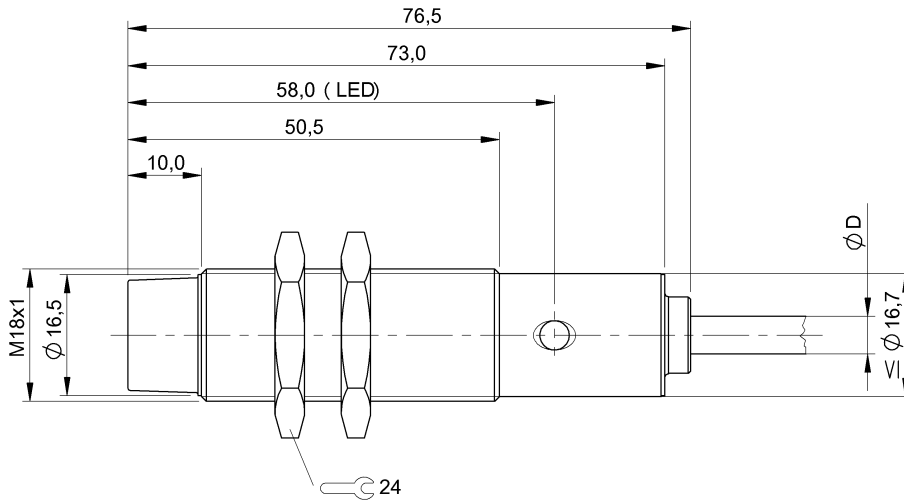


BES 516-360-BO-C-03 BES01HN



IND. CONT. EQ
81U2
for use in the secondary of
a class 2 source of supply
Environmental - Type 1 Enclosure



Display/Operation

| | |
|--------------------|-----|
| Function indicator | yes |
| Power indicator | no |

Electrical connection

| | |
|-----------------------------|----------------------|
| Cable diameter D | 4.60 mm |
| Cable length | 3 m |
| Conductor cross-section | 0.34 mm ² |
| Connection type | Cable, 3.00 m, PVC |
| Number of conductors | 3 |
| Polarity reversal protected | yes |
| Short-circuit protection | yes |

Electrical data

| | |
|---|---------------|
| Hysteresis H max. (% of Sr) | 15.0 % |
| Load capacitance max. at Ue | 0.8 µF |
| MTTF (40 °C) | 720 a |
| No-load current I _o max., undamped | 4 mA |
| Operating voltage U _b | 10...30 VDC |
| Output resistance R _a | 33.0 kOhm + D |
| Pollution degree | 3 |
| Protected against miswiring | yes |
| Rated insulation voltage U _i | 250 V AC |
| Rated operating current I _e DC | 200 mA |
| Rated operating voltage U _e DC | 24 V |
| Rated short circuit current | 100 A |
| Ready delay t _v max. | 10 ms |
| Repeat accuracy max. (% of Sr) | 5.0 % |
| Residual current I _r max. | 10 µA |
| Switching frequency | 600 Hz |
| Utilization category | DC -13 |
| Voltage drop static max. | 1.5 V |

Environmental conditions

| | |
|---------------------------|-------------|
| Ambient temperature | -25...70 °C |
| Protection class | II |
| Protection type IEC 60529 | IP68 |

Functional safety

| | |
|---------------------|------|
| Diagnostic coverage | 0 % |
| Functional safety | no |
| Mission Time | 20 a |

General data

| | |
|---------------------|--------------------|
| Approval/Conformity | CE cULus EAC |
| Basic standard | IEC 60947-5-2 |

Material

| | |
|--------------------------|---------------|
| Housing material | Brass |
| Material jacket | PVC |
| Material sensing surface | PA 12 |
| Surface protection | nickel plates |

Mechanical data

| | |
|-------------------|----------------|
| Dimension | Ø 18 x 76.5 mm |
| Installation | non-flush |
| Size | M18x1 |
| Tightening torque | 35 Nm |

Output/Interface

| | |
|------------------|------------------------|
| Switching output | PNP Normally open (NO) |
|------------------|------------------------|

BES 516-360-BO-C-03 BES01HN

Range/Distance

| | |
|----------------------------------|--------|
| Assured operating distance Sa | 6.5 mm |
| Range | 8 mm |
| Rated operating distance Sn | 8 mm |
| Ripple max. (% of Ue) | 15 % |
| Temperature drift max. (% of Sr) | 10 % |

Remarks

The sensor is functional again after the overload has been eliminated.
For further information on MTTF/B10d, please refer to the MTTF / B10d Certificate.
Specification of the MTTF value and the B10d value do not represent any binding quality and/or life expectancy guarantees.

Wiring Diagram

