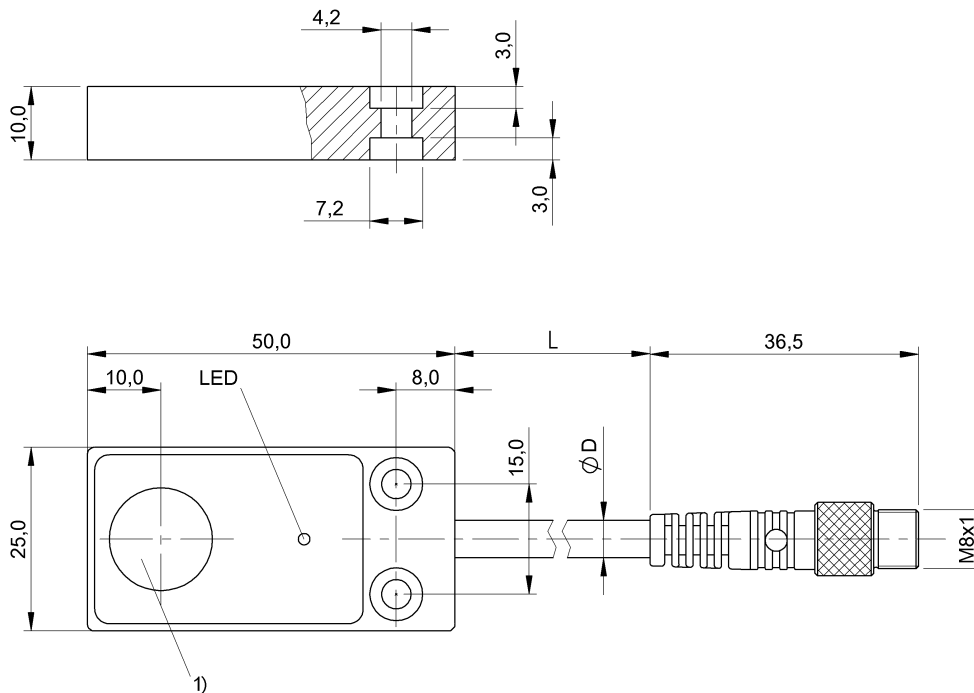


BES 516-347-MO-C-S49-00,2 BES01FT



1) Sensing surface



Display/Operation

Function indicator	yes
Power indicator	no

Electrical connection

Cable diameter D	5.10 mm
Cable length	0.2 m
Connection	M8x1-Connector, 3-pole
Connection type	Cable with connector, 0.20 m, PUR
Polarity reversal protected	yes
Short-circuit protection	yes

Electrical data

Hysteresis H max. (% of Sr)	15.0 %
Load capacitance max. at Ue	1 µF
MTTF (40 °C)	930 a
No-load current I _o max., undamped	12 mA
Operating voltage U _b	10...30 VDC
Output resistance R _a	1.8 kOhm + D + LED
Pollution degree	3

Protected against miswiring	yes
Rated insulation voltage U _i	75 V DC
Rated operating current I _e DC	200 mA
Rated operating voltage U _e DC	24 V
Rated short circuit current	100 A
Ready delay t _v max.	10 ms
Repeat accuracy max. (% of S _r)	5.0 %
Residual current I _r max.	80 µA
Switching frequency	500 Hz
Utilization category	DC -13
Voltage drop static max.	2.5 V

Environmental conditions

Ambient temperature	-25...70 °C
Protection type IEC 60529	IP67

Functional safety

Diagnostic coverage	0 %
Functional safety	no
Mission Time	20 a

BES 516-347-MO-C-S49-00,2 BES01FT

General data

Approval/Conformity	CE EAC
Basic standard	IEC 60947-5-2

Material

Housing material	Aluminum
Material jacket	PUR
Material sensing surface	PBT

Mechanical data

Dimension	50 x 25 x 10 mm
Installation	for flush mounting

Output/Interface

Switching output	PNP Normally open (NO)
------------------	------------------------

Range/Distance

Assured operating distance Sa	4 mm
Range	5 mm
Rated operating distance Sn	5 mm
Ripple max. (% of Ue)	15 %
Temperature drift max. (% of Sr)	10 %

Remarks

The sensor is functional again after the overload has been eliminated.

For further information on MTTF/B10d, please refer to the MTTF / B10d Certificate.

Specification of the MTTF value and the B10d value do not represent any binding quality and/or life expectancy guarantees.

Connector view



Wiring Diagram

