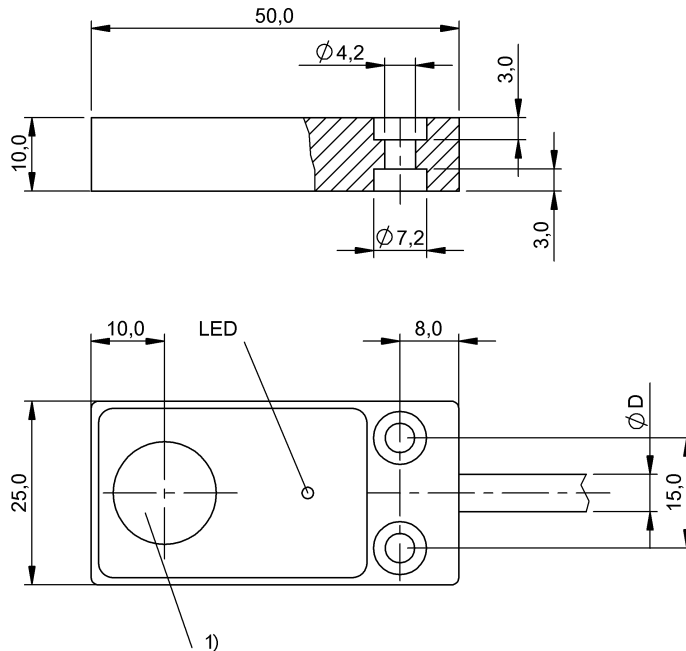


## BES 516-345-MO-C-03 BES01F7



1) Sensing surface



### Display/Operation

Function indicator	yes
Power indicator	no

### Electrical connection

Cable diameter D	4.60 mm
Cable length	3 m
Conductor cross-section	0.34 mm <sup>2</sup>
Connection type	Cable, 3.00 m, PVC
Number of conductors	3
Polarity reversal protected	yes
Short-circuit protection	yes

### Electrical data

Hysteresis H max. (% of Sr)	15.0 %
Load capacitance max. at Ue	1 µF
MTTF (40 °C)	930 a
No-load current I <sub>0</sub> max., undamped	12 mA
Operating voltage U <sub>b</sub>	10...30 VDC
Output resistance R <sub>a</sub>	2.2 kOhm + D + LED
Pollution degree	3

Protected against miswiring	yes
Rated insulation voltage U <sub>i</sub>	75 V DC
Rated operating current I <sub>e</sub> DC	200 mA
Rated operating voltage U <sub>e</sub> DC	24 V
Rated short circuit current	100 A
Ready delay t <sub>v</sub> max.	10 ms
Repeat accuracy max. (% of Sr)	5.0 %
Residual current I <sub>r</sub> max.	80 µA
Switching frequency	500 Hz
Utilization category	DC -13
Voltage drop static max.	2.5 V

### Environmental conditions

Ambient temperature	-25...70 °C
Protection type IEC 60529	IP67

### Functional safety

Diagnostic coverage	0 %
Functional safety	no
Mission Time	20 a

## BES 516-345-MO-C-03 BES01F7

### General data

Approval/Conformity	CE EAC
Basic standard	IEC 60947-5-2

### Material

Housing material	Aluminum, Die casting
Material jacket	PVC
Material sensing surface	PBT

### Mechanical data

Dimension	50 x 25 x 10 mm
Installation	for flush mounting

### Output/Interface

Switching output	NPN Normally open (NO)
------------------	------------------------

### Range/Distance

Assured operating distance Sa	4 mm
Range	5 mm
Rated operating distance Sn	5 mm
Ripple max. (% of Ue)	15 %
Temperature drift max. (% of Sr)	10 %

### Remarks

The sensor is functional again after the overload has been eliminated.  
For further information on MTTF/B10d, please refer to the MTTF / B10d Certificate.  
Specification of the MTTF value and the B10d value do not represent any binding quality and/or life expectancy guarantees.

### Wiring Diagram

