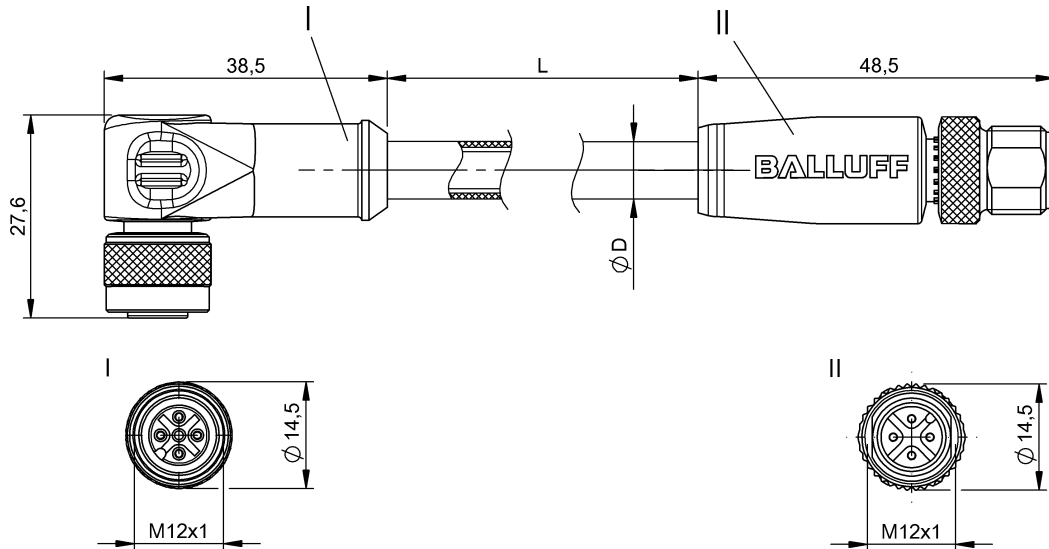


BCC W425-W414-3A-650-NW0434-006
BCC0HAR



Display/Operation

Function indicator (Pin 2)	LED white
Function indicator (Pin 4)	LED yellow
Power indicator	LED green/no

Electrical connection

Bending radius min., fixed cable	5 x D
Bending radius min., flexible cable	10 x D
Cable	PUR black, 0.60 m, welding spark resistant
Cable diameter D	8.00 mm ±0.20 mm
Conductor cross-section	0.34 mm ²
Number of conductors	4
Number of pins	5/4
Protection jacket color	transparent
System	Molded/Molded

Electrical data

Rated current (40 °C)	4.0 A
-----------------------	-------

Environmental conditions

Ambient temperature	-40...90 °C
Cable temperature, fixed routing	-60...200 °C
Protection type IEC 60529	IP68 /IP68

Functional safety

Cable temperature UL max., fixed routing	80 °C
--	-------

General data

Application	Welding area
-------------	--------------

Material

Material contact carrier	PUR/PUR
Material contacts	Bronze/Brass
Material cover nut	Die-cast zincPTFE coated/Die-cast zincPTFE coated
Material grip	TPU, Special
Protective jacket material	Silicone

Mechanical data

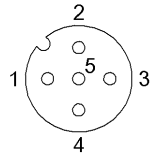
Tightening torque pigtail	0.6 Nm/0.6 Nm
---------------------------	---------------

Remarks

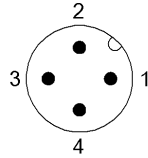
Enclosure rating per IEC 60529, only in screwed state with the associated mating piece.
Cable construction acc. to UL-AWM Style 20549
Flame-retarding
Maximum temperature at outer jacket from weld splatter/beads short-time 800°C.

BCC W425-W414-3A-650-NW0434-006
BCC0HAR

Connector view

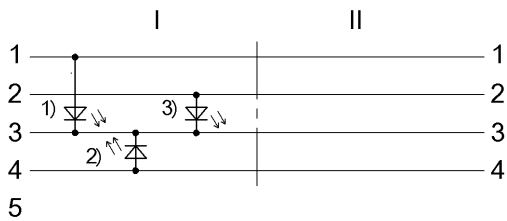


I PIN 1: brown PIN 2: white PIN 3: blue PIN 4: black PIN 5: n.c.



II PIN 1: brown PIN 2: white PIN 3: blue PIN 4: black

Wiring Diagram



1) Green LED = Power 2) Yellow LED = Function 3) LED white = Function