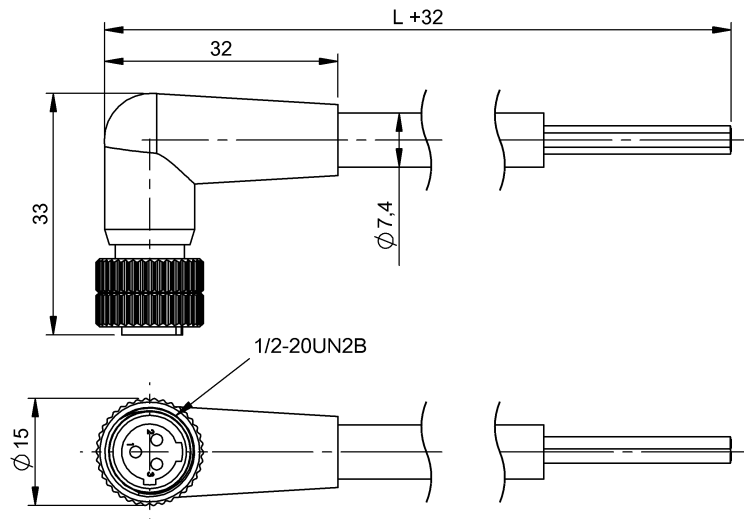


BCC A223-0000-10-123-VX43W8-020
BCC0FWR



Electrical connection

Bending radius min., fixed cable	5 x D
Bending radius min., flexible cable	10 x D
Cable	PVC yellow, 2.00 m
Cable diameter D	7.40 mm ±0.13 mm
Conductor cross-section	AWG 18
Number of conductors	3
Number of pins	3
System	Molded

Electrical data

Rated current (40 °C)	4.0 A
-----------------------	-------

Environmental conditions

Ambient temperature	-40...105 °C
Protection type IEC 60529	IP67

General data

Approval/Conformity	cULus LISTED
---------------------	--------------

Material

Material contact carrier	PUR
Material contacts	Brass
Material cover nut	Brassnickel plates
Material grip	PVC

Connector view



PIN 1: green/yellow PIN 2: red/black PIN 3: red/white

BCC A223-0000-10-123-VX43W8-020
BCC0FWR

Wiring Diagram

1 _____

2 _____

3 _____