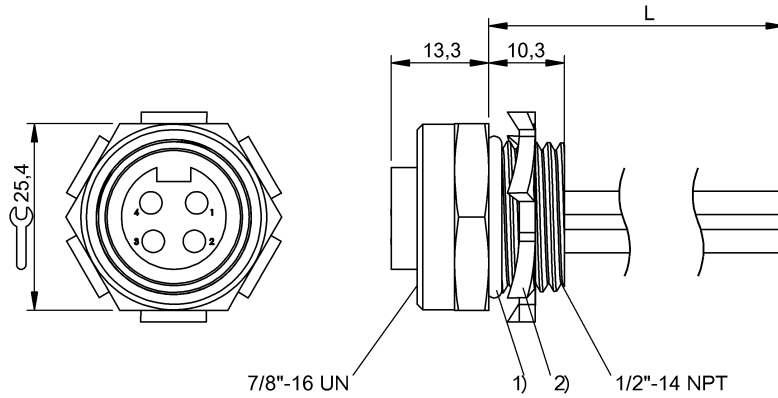


BCC A354-0000-10-RN093-020
BCC0ER5



1) O-ring 2) Lockwasher



Protection type IEC 60529

IP67

Electrical connection

Cable	, 2.00 m
Conductor cross-section	AWG 16
Number of conductors	4
Number of pins	4
System	assembled

General data

Application	Panel connector
Approval/Conformity	cULus LISTED

Electrical data

Rated current (40 °C)	10.0 A
-----------------------	--------

Material

Material contacts	Copper alloy
Material cover nut	Aluminumanodized

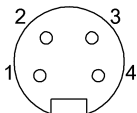
Environmental conditions

Cable temperature, fixed routing	-40...105 °C
----------------------------------	--------------

Mechanical data

Fastening detail	1/2" NPT
Tightening torque pigtail	1.5 Nm

Connector view



PIN 1: black PIN 2: white PIN 3: red PIN 4: green

BCC A354-0000-10-RN093-020
BCC0ER5

Wiring Diagram

