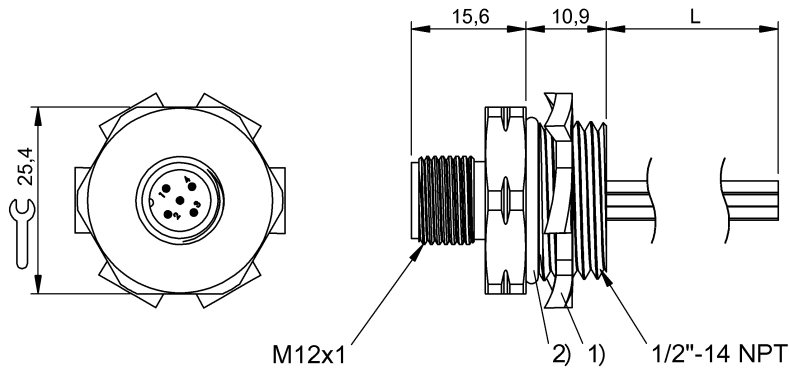


BCC M455-0000-2A-RN063-006  
BCC0CYR



1) Hex nut 2) O-ring



Protection type IEC 60529

IP67

## Electrical connection

Cable	, 0.60 m
Conductor cross-section	AWG 22
Number of conductors	5
Number of pins	5
System	assembled

## General data

Application	Panel connector
Approval/Conformity	cULus LISTED

## Electrical data

Rated current (40 °C)	4.0 A
-----------------------	-------

## Material

Material contacts	Copper alloy
Material cover nut	Aluminumanodized

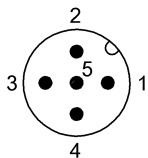
## Environmental conditions

Cable temperature, fixed routing	-40...105 °C
----------------------------------	--------------

## Mechanical data

Fastening detail	1/2" NPT
Tightening torque pigtail	0.6 Nm

## Connector view



PIN 1: brown PIN 2: white PIN 3: blue PIN 4:  
black PIN 5: gray

BCC M455-0000-2A-RN063-006  
BCC0CYR

## Wiring Diagram

