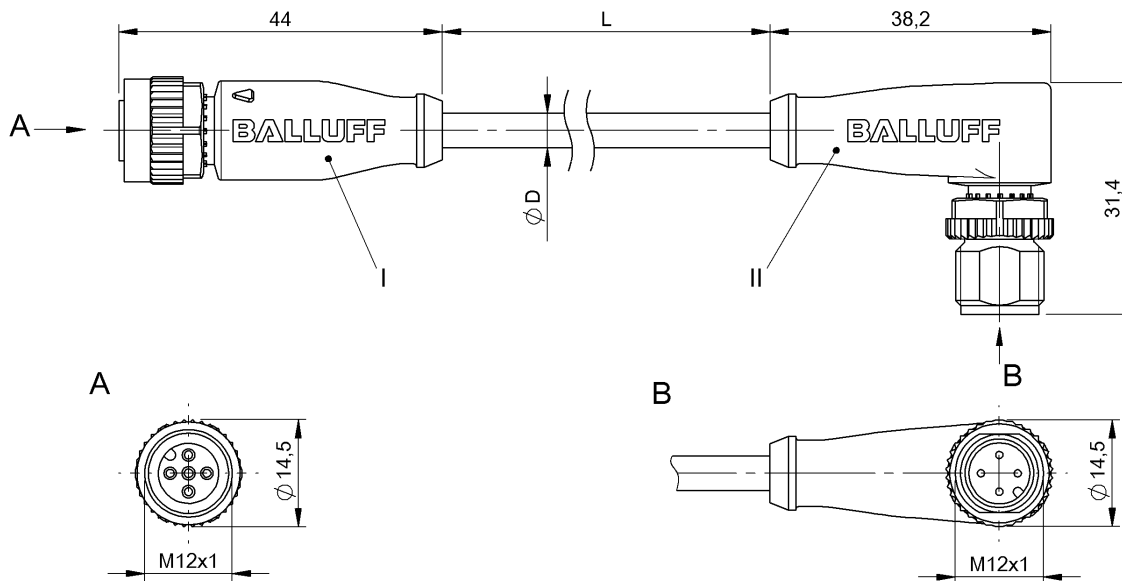


BCC M415-M424-3A-304-VX44T2-100 BCC0CET



4MT5
(CJ/JV CABLE ASSEMBLY)

Electrical connection

Bending radius min., fixed cable	5 x D
Bending radius min., flexible cable	10 x D
Cable	PVC yellow, 10.00 m
Cable diameter D	5.00 mm ±0.15 mm
Cable, bending cycles min.	2 million
Conductor cross-section	AWG 22
Number of conductors	4
Number of pins	5/4
System	Molded/Molded

Electrical data

Cable rated voltage AC max.	300.0 V
Cable rated voltage DC max.	300.0 V
Horizontal travel permitted, drag chain	5 m
Rated current (40 °C)	4.0 A
Vertical travel permitted, drag chain	2 m at 5 m/sec ²

Environmental conditions

Cable temperatur, drag chain	-5...60 °C
Cable temperature, fixed routing	-40...105 °C

Cable temperature, flexible routing	-5...105 °C
Protection type IEC 60529	IP68 /IP68

General data

Approval/Conformity	cULus LISTED
---------------------	--------------

Material

Material contact carrier	PUR/PUR
Material contacts	Bronze/Brass
Material cover nut	Die-cast zinc/Die-cast zinc
Material grip	TPU/TPU

Mechanical data

Tightening torque pigtail	0.6 Nm/0.6 Nm
Traverse speed max., drag chain	200 m/min

Remarks

Enclosure rating per IEC 60529, only in screwed state with the associated mating piece.
Bulk cable approval per UL-AWM Style 2661 & CSA AWM I/II A/B

BCC M415-M424-3A-304-VX44T2-100
BCC0CET

Connector view



Wiring Diagram

