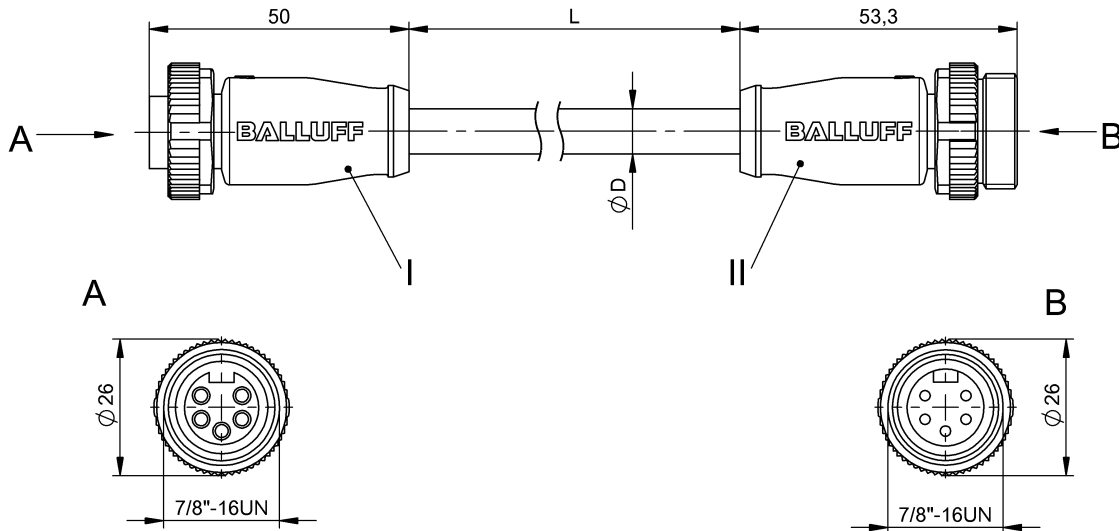


BCC A315-A315-30-344-PS75N6-020  
BCC0AYF



4MT5  
(CJ/V CABLE ASSEMBLY)

## Electrical connection

Bending radius min., fixed cable	5 x D
Bending radius min., flexible cable	10 x D
Cable	PUR Shielded violet, 2.00 m, Drag chain compatible
Cable diameter D	7.20 mm ±0.30 mm
Cable, bending cycles min.	1 million
Conductor cross-section	AWG 22/AWG 24
Number of conductors	4
Number of pins	5/5
System	Molded/Molded

## Electrical data

Conductor construction	2x2 twisted-pair
Conductor resistance	(AWG 24) 94.2 Ohm/km at 20 °C (AWG 22) 59.4 Ohm/km at 20 °C
Coupling resistance max.	50 mOhm/m at 100MHz
Isolation resistance	≥ 20 MOhm x km at 20 °C
Line attenuation at 1 MHz max.	2.3 dB/100 m AWG 24
Operating capacitance	nom. 40 pF/m AWG 24 at 20 °C
Rated current (40 °C)	4.0 A
Surge impedance	120 Ohm ±12 Ohm/AWG24 3-20MHz

## Environmental conditions

Cable temperature, fixed routing	-40...80 °C
----------------------------------	-------------

Cable temperature, flexible routing	-20...80 °C
Protection type IEC 60529	IP68 /IP68

## General data

Application	DeviceNet Thin
Approval/Conformity	cULus LISTED

## Material

Cable shield	Aluminum foil and copper braid
Material contact carrier	PUR/PUR
Material contacts	Brass/Brass
Material cover nut	Die-cast zinc/Die-cast zinc
Material grip	PUR/PUR

## Mechanical data

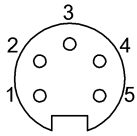
Acceleration max., drag chain	5 m/s <sup>2</sup>
Tightening torque pigtail	1.5 Nm/1.5 Nm
Traverse speed max., drag chain	200 m/min

## Remarks

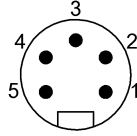
Enclosure rating per IEC 60529, only in screwed state with the associated mating piece.  
Cable construction acc. to UL-AWM Style 20236  
Flame resistance acc. to IEC 60332-1 and VW1 UL1581

BCC A315-A315-30-344-PS75N6-020  
BCC0AYF

## Connector view



I



II

## Wiring Diagram

