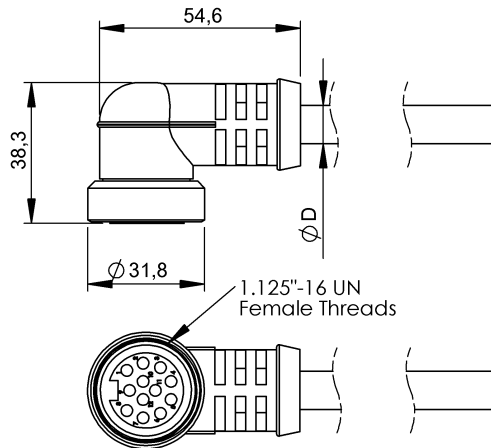


BCC A52C-0000-10-090-VX4CW8-100  
BCC0A5J



## Electrical connection

Cable	PVC yellow, 10.00 m
Cable diameter D	10.41 mm ±0.13 mm
Conductor cross-section	AWG 18
Number of conductors	12
Number of pins	12
System	Molded

## Electrical data

Rated current (40 °C)	4.0 A
-----------------------	-------

## Environmental conditions

Cable temperature, fixed routing	-40...105 °C
Protection type IEC 60529	IP67

## General data

Application	Operating voltage
Approval/Conformity	cULus LISTED

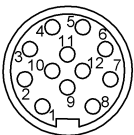
## Material

Material contact carrier	PUR
Material contacts	Brass
Material cover nut	Aluminum anodized
Material grip	PVC

## Remarks

Enclosure rating per IEC 60529, only in screwed state with the associated mating piece.  
Bulk cable: Oil resistant yellow PVC jacket, rated at 300 V, 105 °C, no wicking, not hygroscopic

## Connector view



PIN 1: orange PIN10: red PIN 11: white PIN12:  
black PIN 2: blue PIN 3: white/black PIN 4: red/  
black PIN 5: green/black PIN 6: orange/black PIN  
7: blue/black PIN 8: black/white PIN 9: green/yellow

BCC A52C-0000-10-090-VX4CW8-100  
BCC0A5J

## Wiring Diagram

