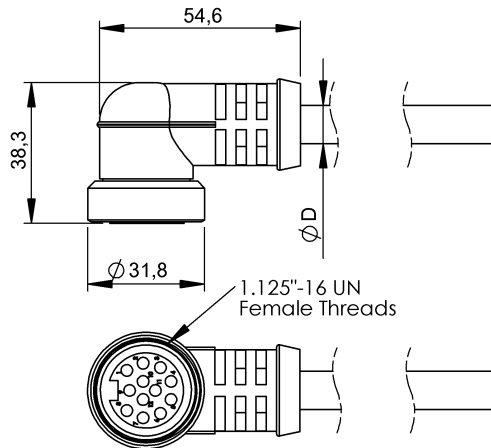


BCC A52C-0000-10-090-VX4CW8-020
BCC0A5F



Electrical connection

Cable	PVC yellow, 2.00 m
Cable diameter D	10.41 mm ±0.13 mm
Conductor cross-section	AWG 18
Number of conductors	12
Number of pins	12
System	Molded

Electrical data

Rated current (40 °C)	4.0 A
-----------------------	-------

Environmental conditions

Cable temperature, fixed routing	-40...105 °C
Protection type IEC 60529	IP67

General data

Application	Operating voltage
Approval/Conformity	cULus LISTED

Material

Material contact carrier	PUR
Material contacts	Brass
Material cover nut	Aluminumanodized
Material grip	TPU

Remarks

Enclosure rating per IEC 60529, only in screwed state with the associated mating piece.
Bulk cable: Oil resistant yellow PVC jacket, rated at 300 V, 105 °C, no wicking, not hygroscopic

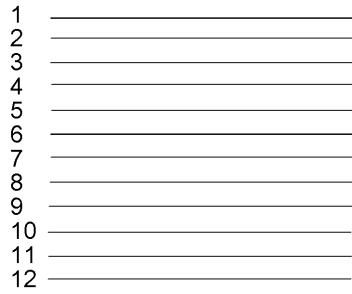
Connector view



PIN 1: orange PIN10: red PIN 11: white PIN12:
black PIN 2: blue PIN 3: white/black PIN 4: red/
black PIN 5: green/black PIN 6: orange/black PIN
7: blue/black PIN 8: black/white PIN 9: green/yellow

BCC A52C-0000-10-090-VX4CW8-020
BCC0A5F

Wiring Diagram



.....