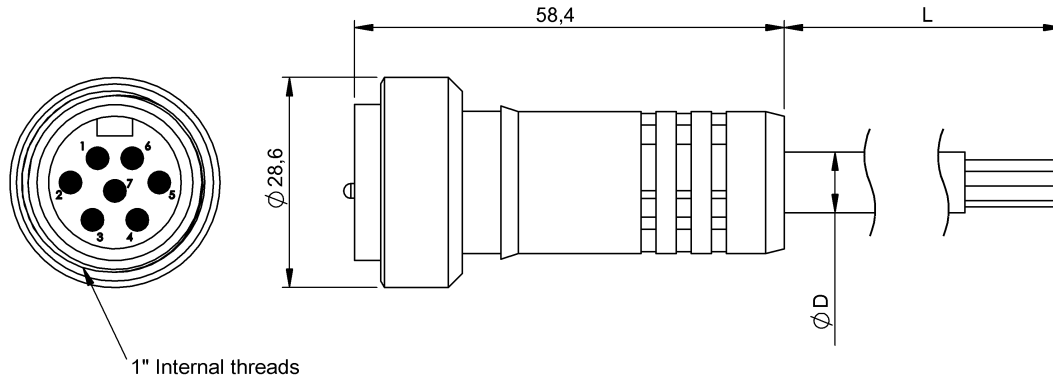


BCC A417-0000-C0-086-VX47W8-050  
BCC0A3N



## Electrical connection

Cable	PVC yellow, 5.00 m
Cable diameter D	8.25 mm $\pm$ 0.13 mm
Conductor cross-section	AWG 18
Number of conductors	7
Number of pins	7
System	Molded

## Electrical data

Rated current (40 °C)	5.0 A
-----------------------	-------

## Environmental conditions

Cable temperature, fixed routing	-40...105 °C
Protection type IEC 60529	IP67

## General data

Application	Operating voltage
Approval/Conformity	cULus LISTED

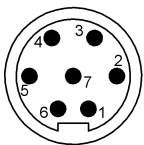
## Material

Material contact carrier	PUR
Material contacts	Brass
Material cover nut	Aluminumanodized
Material grip	PVC

## Remarks

Enclosure rating per IEC 60529, only in screwed state with the associated mating piece.  
Bulk cable: Oil resistant PVC jacket rated to 300 V, 105 °C, no wicking, non-hygroscopic, UL Style 2661 or 2517

## Connector view



PIN 1: white/black PIN 2: black PIN 3: white PIN 4: red  
PIN 5: orange PIN 6: blue PIN 7: green/yellow

BCC A417-0000-C0-086-VX47W8-050  
BCC0A3N

## Wiring Diagram

