

## NEMA Motor Data



Ordering data : **1LE2221-2BB11-4AA3**

Client order no. :  
Order no. :  
Offer no. :  
Remarks :

Item no. :  
Consignment no. :  
Project :

Nameplate Data	Mounting and motor protection
----------------	-------------------------------

Type	GP100 - NEMA Premium Efficiency		
HP	15.0	Rating	Cont.
Voltage	(14) 208-230/460V,	Ins. Class	Class F (Standard)
Amps	38.0 / 19.0 A	S.F.	1.15
FL RPM	1770	Amb. Temp.	40 deg C
FL Efficiency	92.4 %	Temp. Rise	Class B
FRAME	254T	kVA Code	G
DE AFBMA	45BC02JPP30	NEMA Des	B
ODE AFBMA	45BC02JPP30	Mtr WT	259.04
60 Hertz	3 Ph      TEFC	IP	35

Type of construction	( A ) Foot mounted - End shield
Motor protection	(A) No winding protection
Terminal box design	(3) Mounting - F-1

### Bearing Data

	DE	ODE
Bearing Size	6209 ZZ C3 S0	6209 ZZ C3 S0
Bearing Type	Ball Bearing	Ball Bearing
AFBMA	45BC02JPP30	45BC02JPP30

### Typical Performance Data

Load	No Load	1/2	3/4	Full Load	LRC
Efficiency		92.3 %	92.8 %	92.4 %	
Power Factor		64.5	74.7	80.0	
Current (A)	11.8 A	11.8 A	15.2 A	38.0 / 19.0	116.0 A
Inverter Duty	VT	20:1	CT	4:1	

### Mechanical Data

SAFE STALL TIME	HOT (s)	21	COLD (s)	33
Rtr wt (lbs)	63.97	Rtr WK2	1.68	
FLT (lb-ft)	44.000	LRT	184	BDT 234
Ext Load Inertia (WK2) Capability	105.0 lb-ft <sup>2</sup>			

### Typical Noise Data

A-weighted Sound	Octave Band Center Frequencies Hertz (Hz)								
Pressure Level	125	250	500	1000	2000	4000	8000	SPL	72
at 3 feet	49	60	67	68	66	63	50	SPwrL	83

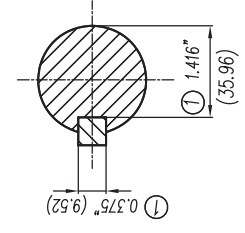
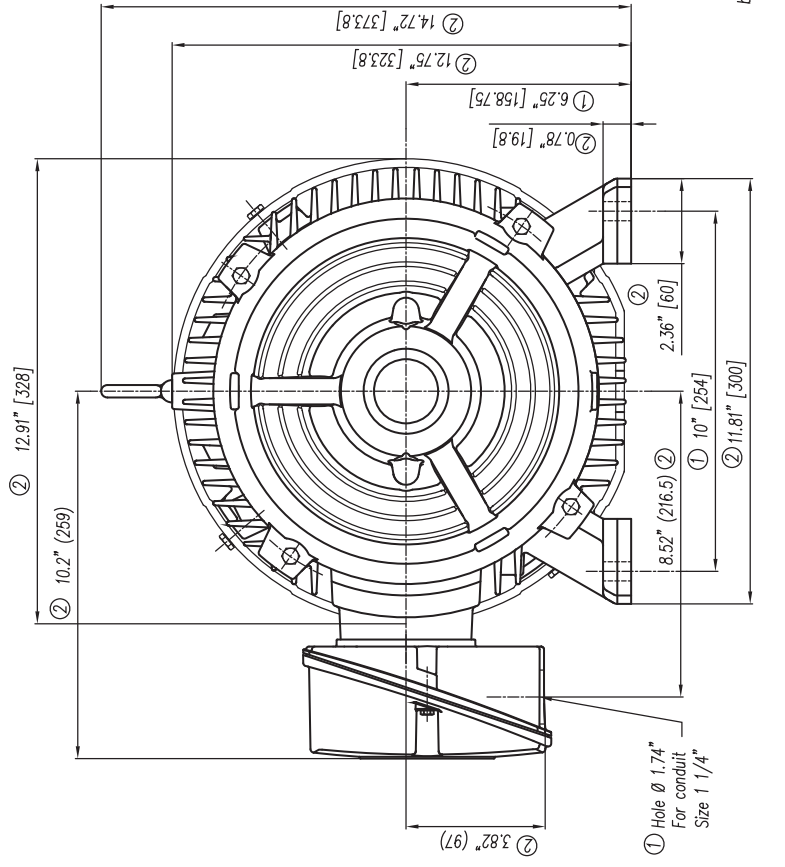
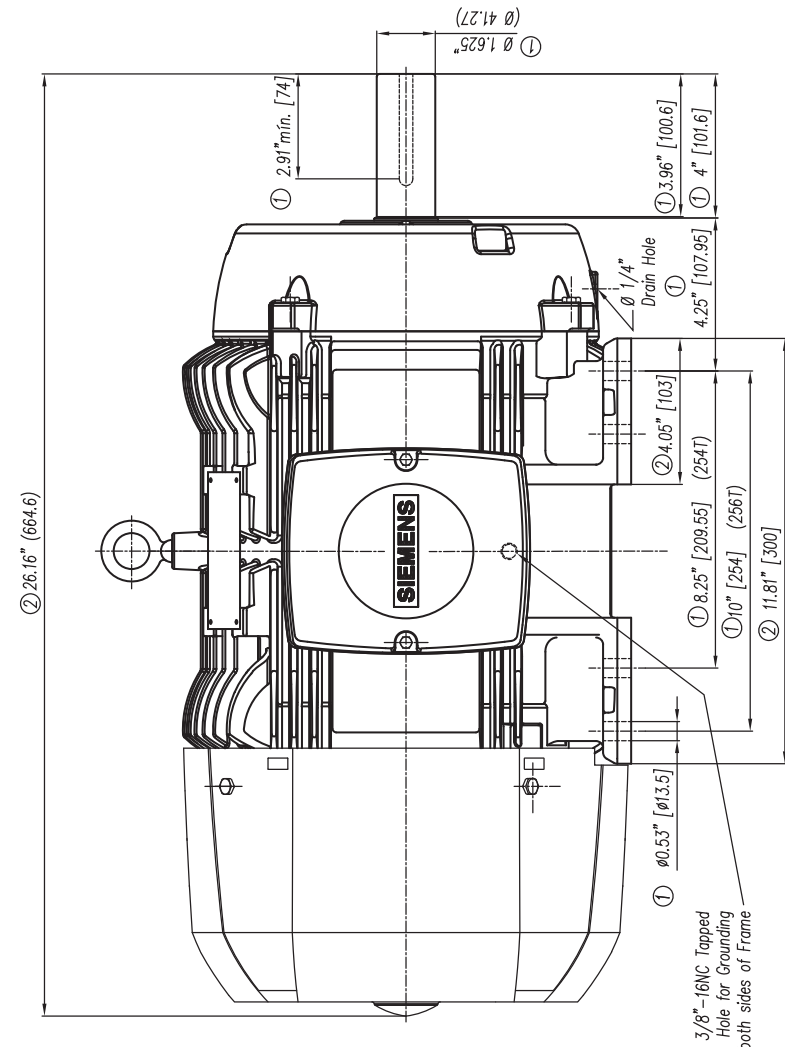
### Wiring Connection Information

Description	3 PHASE - 9 LEAD - WYE					
Voltage	L1	L2	L3	Connected together		
LOW	T1 T7	T2 T8	T3 T9	T4 T5 T6      YY		
HIGH	T1	T2	T3	T4 T7-T5 T8-T6 T9      Y		

### Special design :

### Lubrication Information

Manufacturer	Mobil Polyrex EM or equal
Type	Polyurea (standard)
DE Capacity (oz.)	0.50
ODEnd Capacity (oz.)	0.50



Keyseat detail  
Detalle Cuñero

① Tolerancias According to NEMA Std.  
 ② All these dimensions corresponding to assemblies and castings shall have a tolerance as per DIN 1686-GTB-19.  
 ③ Not According to NEMA Std.

CERTIFIED PRINT/CERTIFICACION			
CUSTOMER/CLIENTE			
IP	ENV	FRANK/ARM	TYPE/ARM
		VALS	ENVALS
			RZ

Tol. in mm. acc. to/ Tol. en mm. según DIN-1686-GTB-19 Over/desde To/hasta		Dim. in inches/Dim. en pulg.	
---	18	± 4.5	± 4.7
---	30	± 4.5	± 5
---	50	± 5.5	± 5.5
---	80	± 6	± 6
---	120	± 6.5	± 7
---	180	± 7	± 7.5
---	250	± 8	± 8
---	315	± 8.5	± 8.5
---	400	± 9.5	± 9.5
---	500	± 10	± 10
---	630		
---	800		

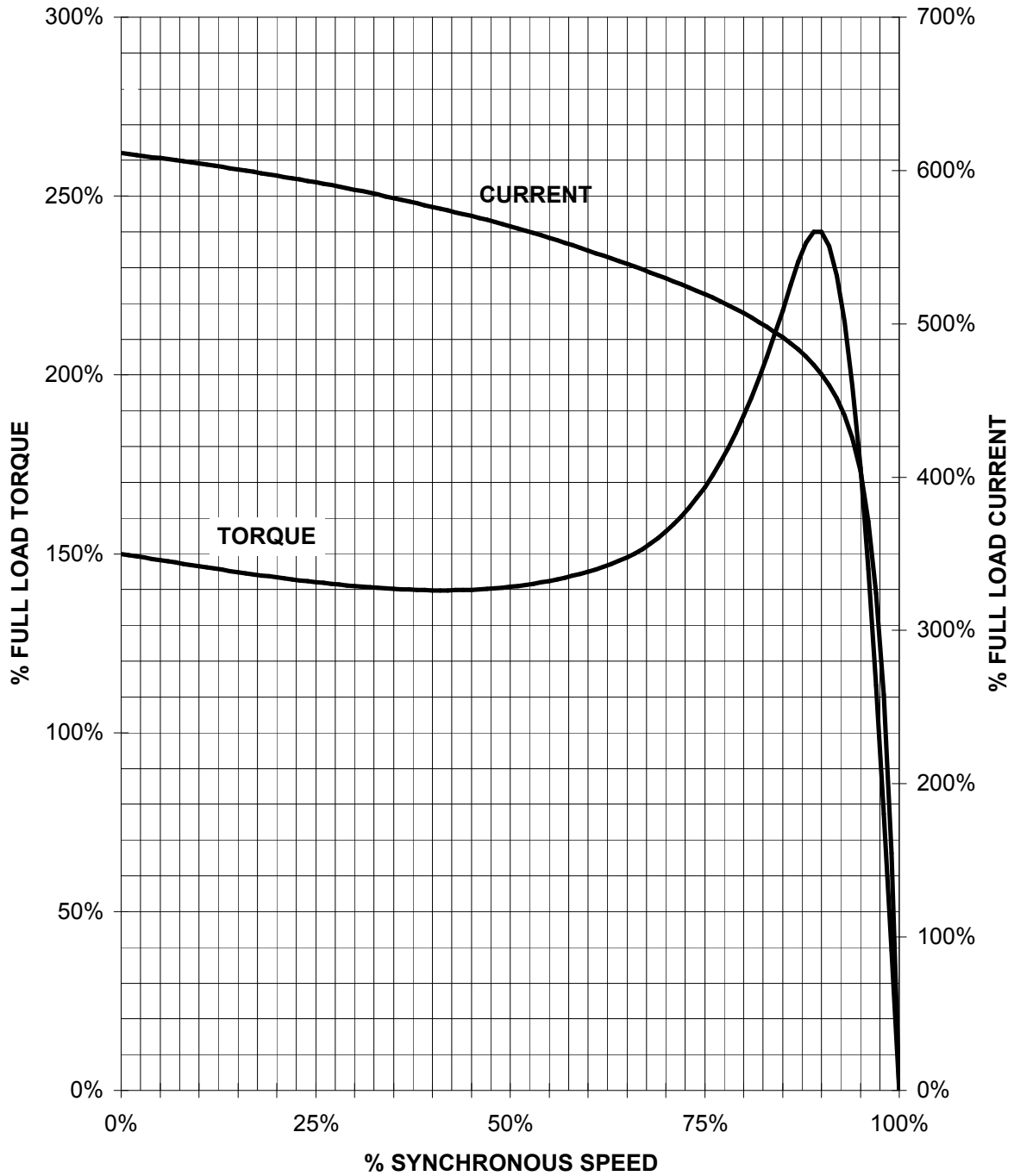
  

European Projection/ Projection Europee	Date/Fecha 05/03/08	Name/Nombre Guzmán
Drawn/Elab. Check/Rev.	Str.Ctd./Aut.	Type/ Tipo: GP100
a) Se cambió formato a Inglés-Español y se especificó tipos en los que aplica este dibujo. g) Changed the format to English-Spanish and was specified in what kind of motors apply this drawing.		Scale/ Escala Sin W/O
SIEMENS GUADALAJARA FACTORY		Outline/Dimensiones New NEMA Motors 3MSE 223 0850a
Ref.		Rep./3MSE 223 0850

# SIEMENS INDUSTRY, INC.

HP 15 VOLTS < 600V RPM 1800 TYPE GP100  
HZ 60 PHASE 3 FRAME 254T NEMA B

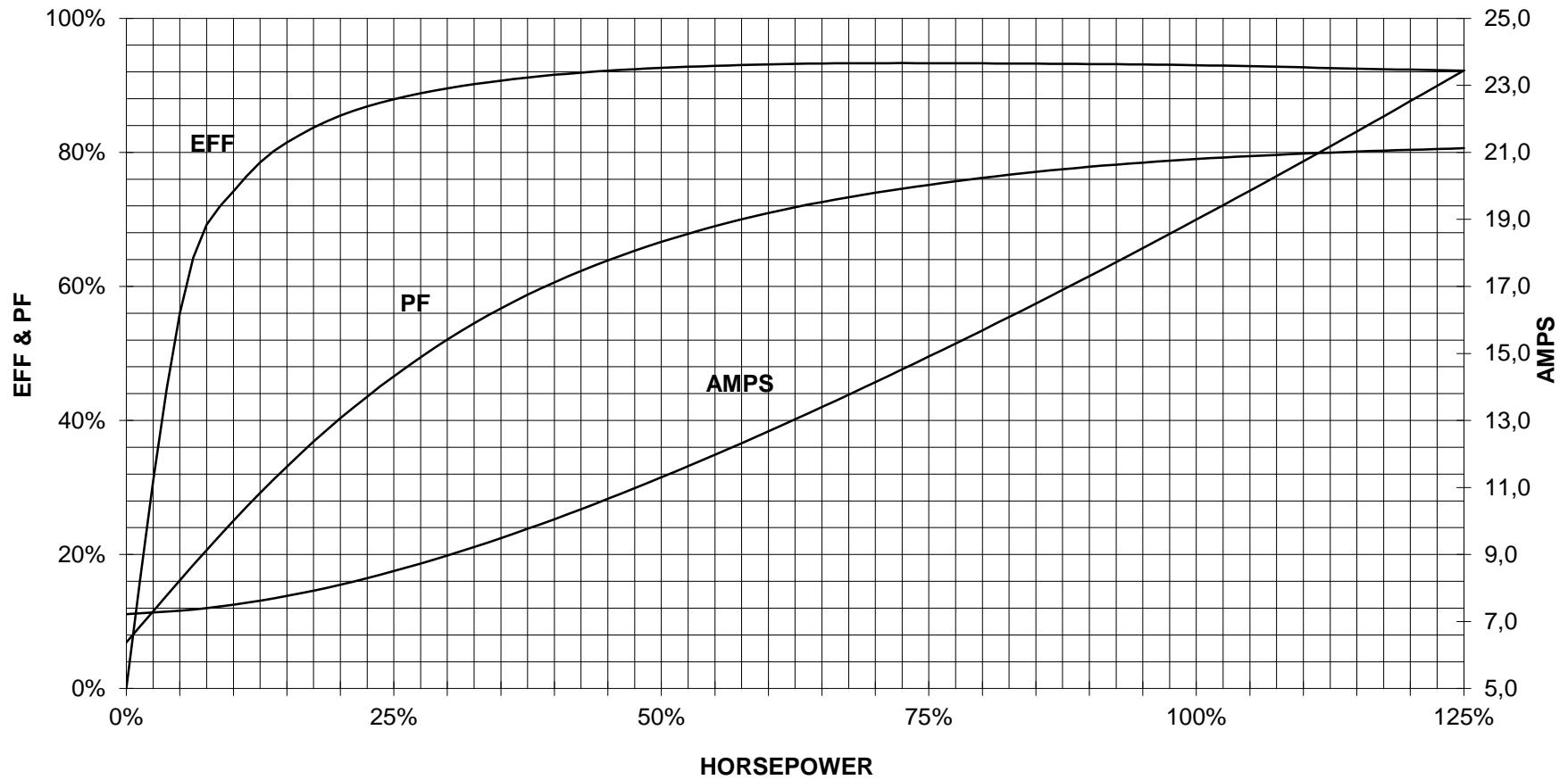
## TORQUE & CURRENT VS. SPEED



CUSTOMER: \_\_\_\_\_ ORDER#: \_\_\_\_\_

15 HP 1800 RPM 254T FRAME 460 VOLTS 3 PHASE NEMA DESIGN B

**SIEMENS INDUSTRY, INC.**  
**PERFORMANCE CURVE**  
**GP100**



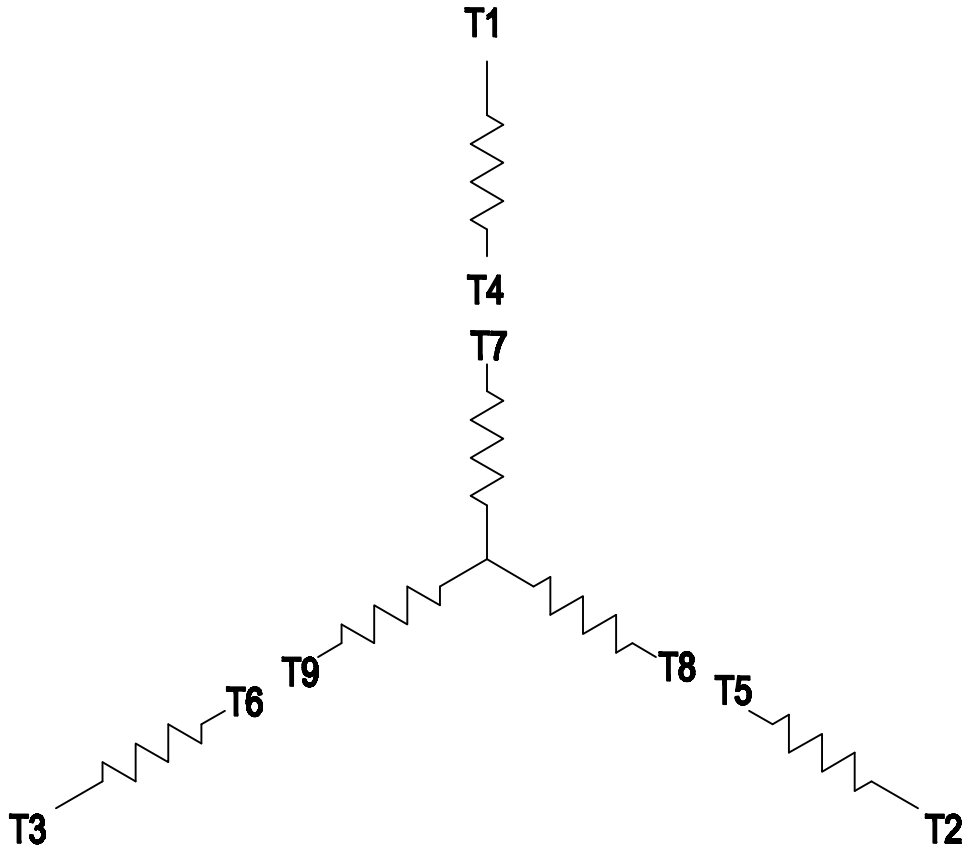
CUSTOMER \_\_\_\_\_ ORDER # \_\_\_\_\_ PO # \_\_\_\_\_

PERFORMANCE BASED ON DESIGN CALCULATIONS. SUBJECT TO CHANGE WITHOUT NOTICE.

REV. 1

### 3 PHASE - 9 LEADS - WYE

VOLTS	LINES			CONNECTED TOGETHER	CONN.
	L1	L2	L3		
LOW	T1 T7	T2 T8	T3 T9	T4 T5 T6	Y Y
HIGH	T1	T2	T3	T4 T7-T5 T8-T6 T9	Y



THIS IS A CAD DRAWING  
DO NOT MAKE MANUAL CHANGES

01 | 09-27-07

TYPE

-CONFIDENTIAL-

PROPERTY OF

Siemens Energy & Automation, Inc.  
Industrial Motor Division - Little Rock, AR

FRAME

HP

NAME

WIRING DIAGRAM

VOLTS

RPM

HZ

PH

3

Customer

PO #

SO #

DRAWN 9.24.07

DATE JRH

CHECKED

DATE

APP

DATE

SHEET

1 OF 1

Sim. To

PART NO.

51-382-114-501

A