

THIS DRAWING IS UNPUBLISHED.

RELEASED FOR PUBLICATION

2011

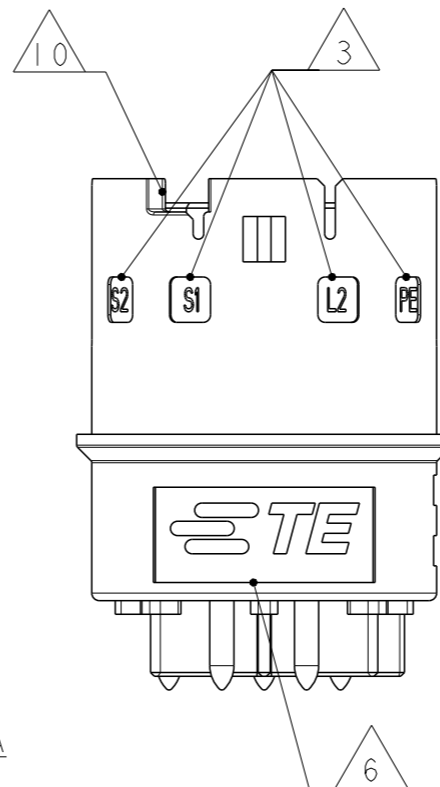
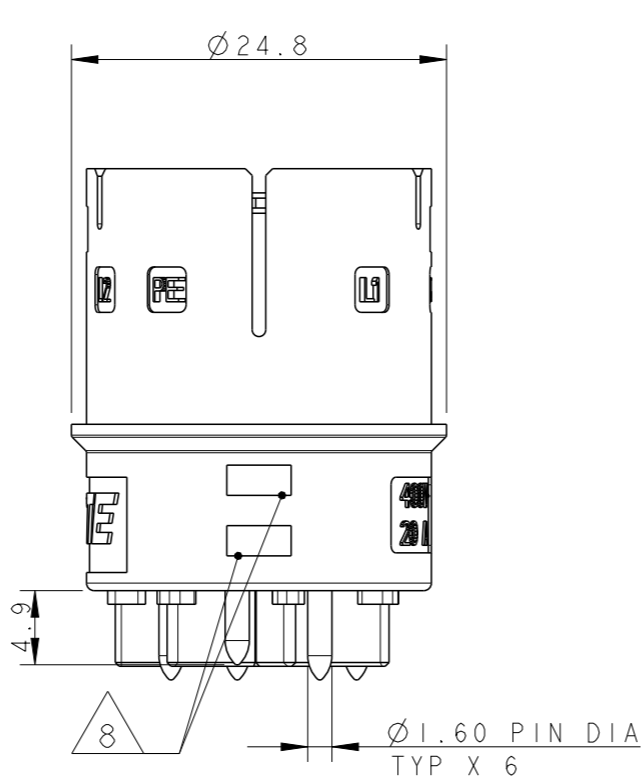
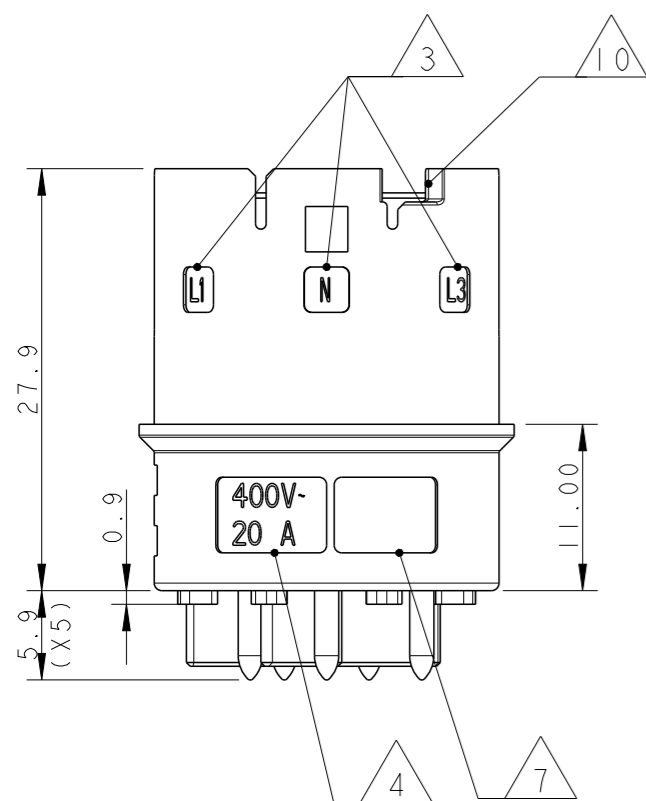
© COPYRIGHT 2011 BY -

ALL RIGHTS RESERVED.

LOC	DIST
1	-

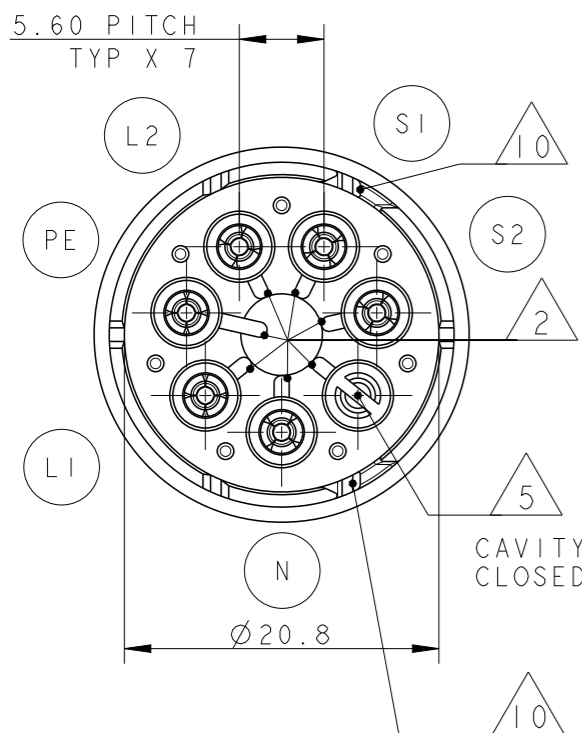
REVISIONS

P	LTR	DESCRIPTION	DATE	DWN	APVD
5		UPDATED	07JUN2011	AB	GT
6		UPDATED	23JUL2013	MZ	JC
A		PARTS RELEASED FOR PRODUCTION	13NOV2013	KR	JC

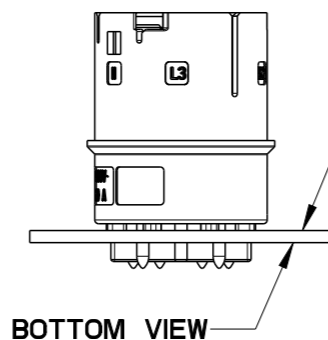


NOTES:

- 1 MATERIAL: PA GF (NATURAL)
- HOUSING: PA GF
- CONTACTS: BRASS TIN PLATED
- 2 ALL POLARIZATION KEYS SHOWN FOR REF ONLY
- 3 WAYS I.D.
- 4 VOLTAGE AND CURRENT RATINGS
- 5 RIB CLOSING CAVITY BY CHANGE OVER
- 6 TE LOGO
- 7 AREA FOR AGENCIES APPROVAL LOGO
- 8 VISUAL INDICATOR FOR PE CONDUCTOR
- 9) SEE C-DRAWING 293682 (LOCKING CAP) TO GET IP 40
- 10 SLOTS TO ALLOW DELATCHING TOOL OPERATION. FOR DELATCHING TOOL AND OPERATION REFER TO APPLICATION SPECIFICATION



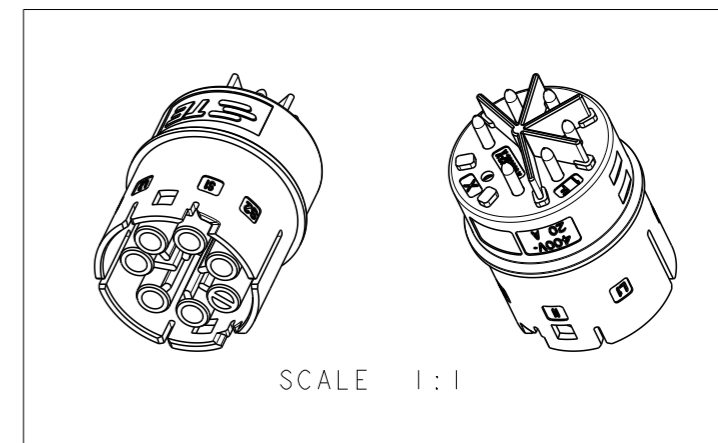
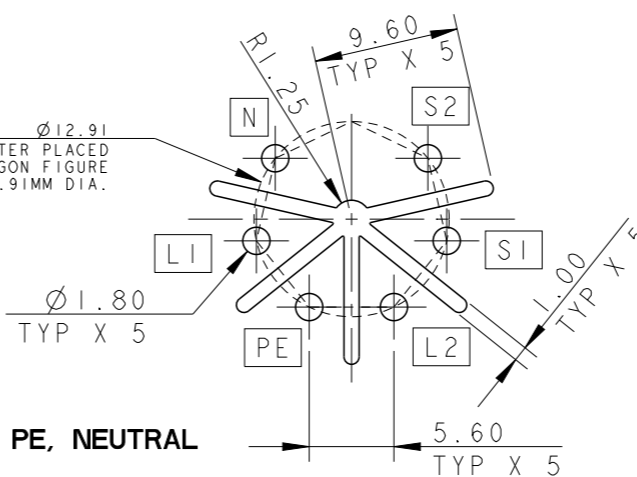
PCB CUT-OUT AND HOLES DIMENSIONS (±0.03)



SCALE 1:1

RACOMANDED PCB THICKNESS 1.6±0.06,
PATH THICKNESS 0.07,
PATH WIDTH 7.50±0.05 FOR LINES, PE, NEUTRAL

BOTTOM VIEW



THIS DRAWING IS A CONTROLLED DOCUMENT.

DWN 31MAR2011
A. BERNARDI

CHK -

APVD 31MAR2011
G. TURCO

PRODUCT SPEC
108-20324

APPLICATION SPEC
114-20169

WEIGHT -

Customer Drawing



NAME
SOCKET 6 POLES PCB CONNECTOR
NECTOR M-LINE

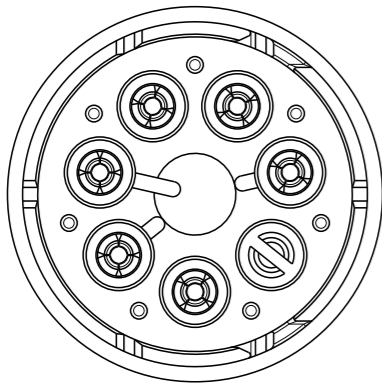
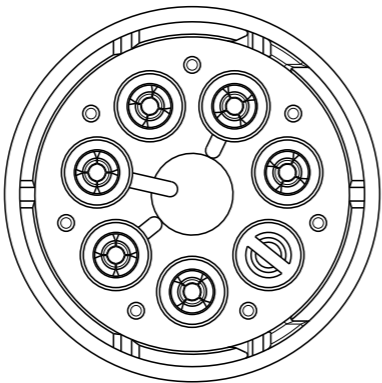
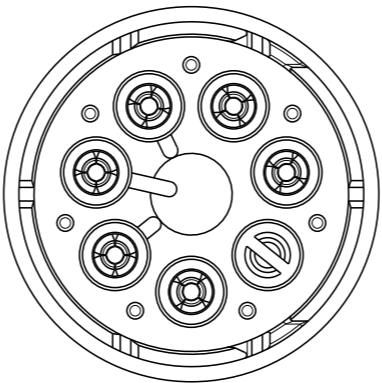
SIZE CAGE CODE DRAWING NO RESTRICTED TO

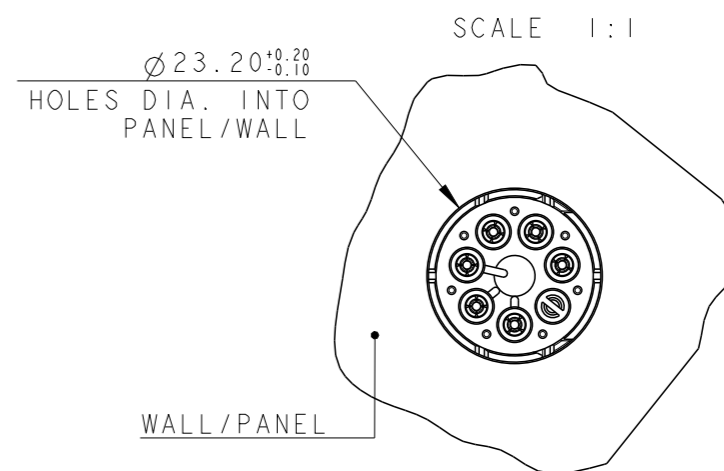
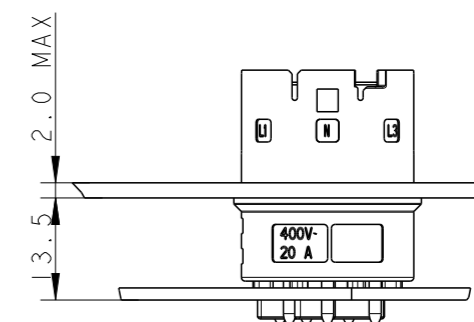
A300779 C-293671




SCALE 2:1 SHEET 1 OF 2 REV A

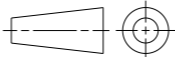
LOC	DIST	REVISIONS					
		P	LTR	DESCRIPTION	DATE	DWN	APVD
1	-			SEE SHEET 1	-	-	-


POLARIZATION TYPES

POLARIZATION TYPE "C"	POLARIZATION TYPE "D"	POLARIZATION TYPE "E"
		
PNs 0-293671-3	PNs 0-293671-4	PNs 0-293671-5



	E	NATURAL	SOCKET PCB CONN 6 POLES NECTOR* M-LINE	A	0-293671-5
	D	NATURAL	SOCKET PCB CONN 6 POLES NECTOR* M-LINE	A	0-293671-4
	C	NATURAL	SOCKET PCB CONN 6 POLES NECTOR* M-LINE	A	0-293671-3
NOTE	POL. KEYING	COLOUR	DESCRIPTION	REV.	P/N

THIS DRAWING IS A CONTROLLED DOCUMENT.	
DIMENSIONS: mm	TOLERANCES UNLESS OTHERWISE SPECIFIED:
	0 PLC ± 1 PLC ±0.3 2 PLC ±0.2 3 PLC ± 4 PLC ± ANGLES ±3°
MATERIAL -	FINISH -

DWN A. BERNARDI	31MAR2011	 TE Connectivity
CHK -	-	
APVD G. TURCO	31MAR2011	NAME SOCKET 6 POLES PCB CONNECTOR NECTOR M-LINE
PRODUCT SPEC 108-20324		
APPLICATION SPEC 114-20169		
WEIGHT -		SIZE A300779
Customer Drawing	SCALE 2:1	DRAWING NO C-293671
	SHEET 2	OF 2
	REV A	RESTRICTED TO -