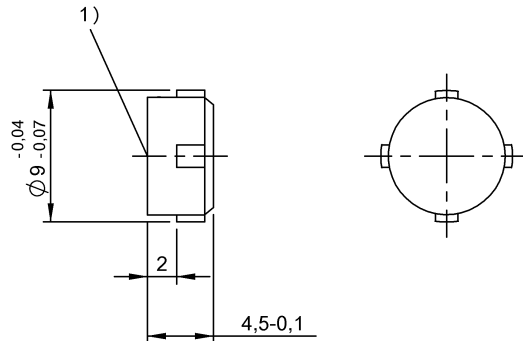


BIS C-121-04/L BIS000T



1) Sensing surface



Electrical data

| | |
|---------------------|--|
| Memory capacity | 511 Byte |
| Memory organization | 32 × 8 bits |
| Programming cycles | up to 30 °C: 1,000,000 up to 70 °C: 500,000 |
| Programming time | for 1x8 bits: 0.3s for 32x8 bits: 0.6s |
| Read cycles | Unlimited |
| Read time | for 32x8 bits: 0.19 s |

Environmental conditions

| | |
|--------------------------------------|-------------|
| Ambient temperature | 0...70 °C |
| EN 60068-2-27, Continuous shock load | yes |
| EN 60068-2-27, Shock | yes |
| EN 60068-2-6, Vibration | yes |
| Protection type IEC 60529 | IP68 |
| Storage temperature | -30...85 °C |

Functional safety

| | |
|-------------------------|-----|
| EN 60068-2-32 Free fall | yes |
|-------------------------|-----|

General data

| | |
|---------------------|---------------------------------|
| Antenna type | round |
| Approval/Conformity | UL-FILE E227256, Vol.X1, BIS CE |
| EN 55011 | Size 1, Cl. A |

Material

| | |
|------------------|------------------------|
| Housing material | Epoxy-resin/fiberglass |
|------------------|------------------------|

Mechanical data

| | |
|--------------------|-------------------------------|
| Application weight | 0.50 g |
| Dimension | Ø 9 x 4.5 mm |
| Installation | for flush mounting (in steel) |

Remarks

Only together with converter BIS C-901 or BIS C-6xx and the appropriate read/write head.

Values are under rated conditions unless otherwise specified.

For installation requirements see corresponding read/write head.

Time specification includes data check.

IP68 tested according to BWN Pr 36

On the last page only 31x8 bits are usable.

For installation in hole Ø9 H11 (glue)