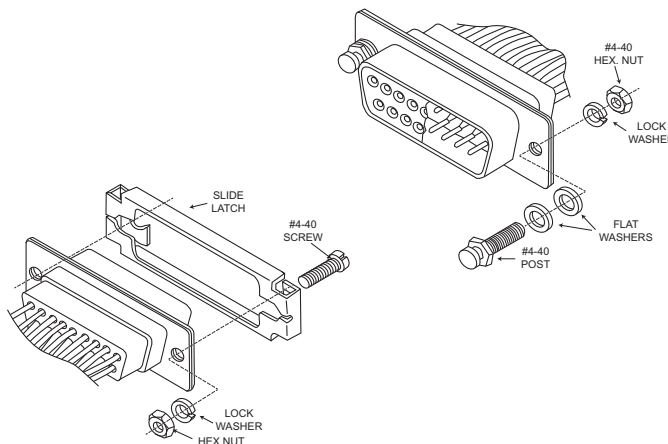


## Slide Lock Assemblies

ITT offers the largest variety of locking and latching hardware. Refer to the accessories selection guide on pages 2-3 for use with Cannon backshells.

### Product Features

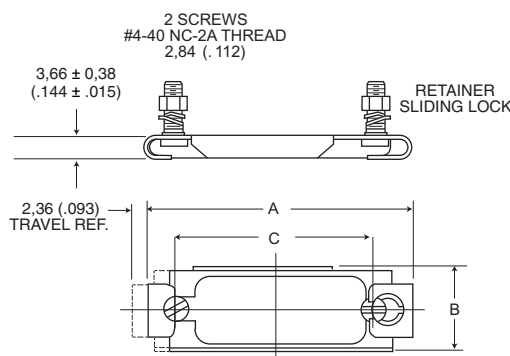
- Ensures positive mating
- Provides locking and latching for high vibration applications



## Sliding Lock Retainer Assembly



- Kit consists of 1 sliding lock plate, 2 mounting screws, 2 lock washer, 2 hex nuts
- Order 1 kit per connector



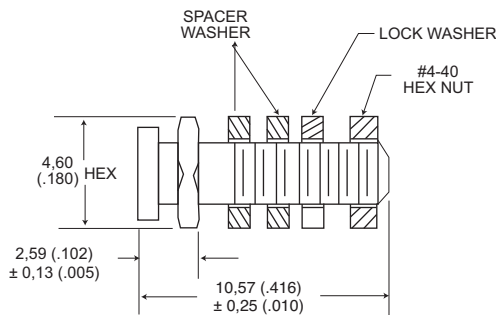
Descriptions	Material	Finish/ Treatment
Sliding Lock Plate	Stainless Steel	Passivated
Screw, Mounting	Steel	Trivalent
Washer Lock	Steel	Chromate over
Nut, Hex	Steel	Zinc

Shell Size	Layout	Part Number	A ± 0,38 (.015)	B ± 0,38 (.015)	C ± 0,13 (.005)
DE	9	DE51224-1	35,05 (1.380)	12,70 (.500)	25,00 (.984)
DA	15	DA51220-1	43,70 (1.720)	12,70 (.500)	33,32 (1.312)
DB	25	DB51221-1	57,40 (2.260)	12,70 (.500)	47,04 (1.852)
DC	37	DC51222-1	73,86 (2.908)	12,70 (.500)	63,50 (2.500)
DD	50	DD51223-1	71,47 (2.814)	15,47 (.609)	61,11 (2.406)

## Slide Lock Post Assemblies



- Consists of 1 post, 2 washers, 1 lock washer, and 1 hex nut.<sup>1</sup>
- Order 2 per connector.<sup>2</sup>



Part Number:	Each <sup>1,2</sup>	Kit of 2 each	Material: Steel, Finish: Chromate/Zinc
D53018	D53018-11	D53018-11	Material: Steel, Finish: Chromate/Zinc
D53018-14	D53018-20	D53018-20	Material: Stainless Steel, Finish: Passivated

NOTE: When rear-mounting connector to a 1/16" panel, delete the second spacer washer.

Dimensions shown in mm (inch)  
Specifications and dimensions subject to change

