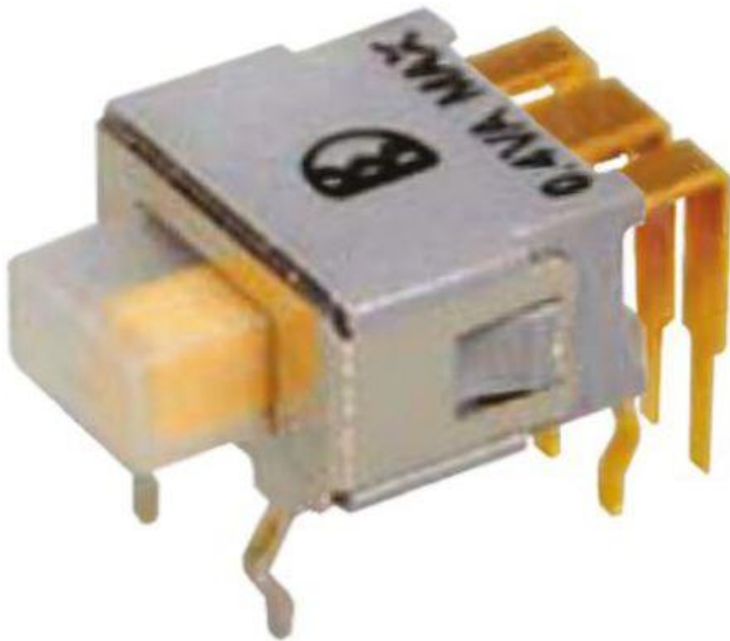


## Datasheet

### DPDT Slide Switch

RS Stock number 734-7356



#### SPECIFICATIONS

**CONTACT RATING:** Max 0.4 VA max @ 48 VAC or DC

**MECHANICAL LIFE:** minimum 40,000 operations.

**CONTACT RESISTANCE:** 50m $\Omega$  max.

**INSULATION RESISTANCE:** 500M $\Omega$  at 250 VDC. (A)

**DIELECTRIC STRENGTH:** 500V, 50 Hz for the duration of 1 minute.

**OPERATING TEMPERATURE:** -20°C to 80°C.

**DEGREE OF PROTECTION:** IP67

#### MATERIALS

**ACTUATOR** - PBT, yellow std.

**HOUSING** - SPCC

**CASE** - PBT, Meets (UL94V-0), Washable

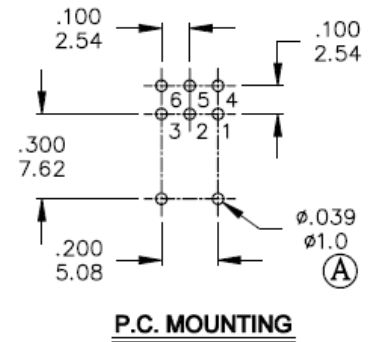
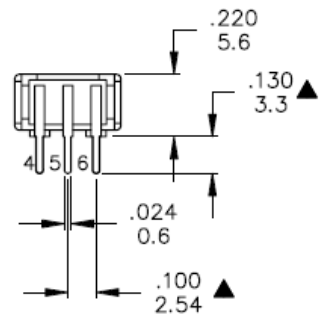
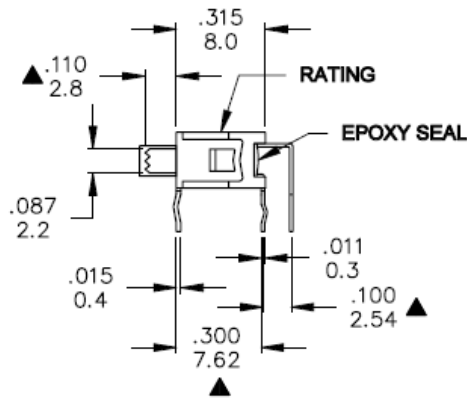
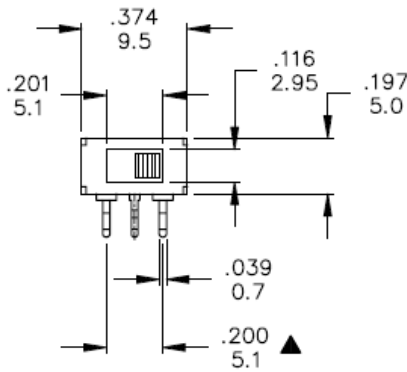
**SWITCH SUPPORT** - Brass, tin plated.

**CONTACT/TERMINALS** - Phosphor bronze gold - plated over nickel barrier.

**TERMINAL SEAL** - Epoxy

**RoHS** - 2002/95/EC

**Dimensions – inch  
mm**



| Model No.   | POS.1          | POS.2       | POS.3          |
|-------------|----------------|-------------|----------------|
|             |                |             |                |
| 5SED1       | <b>ON</b>      | <b>NONE</b> | <b>ON</b>      |
| Term. Comm. | <b>2-1,5-4</b> |             | <b>2-3,5-6</b> |
| SCHMATIC    |                | <b>N/A</b>  |                |

**SWITCH FUNCTION**