



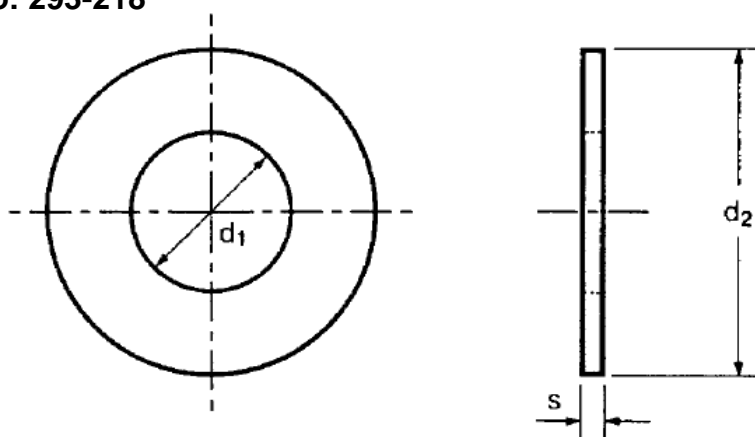
ENGLISH

**Professionally approved products**

**Datasheet**

# RS Pro Plain Copper Sealing Washer

RS Stock No: 293-218



This RS Pro range of hard rolled copper washers are generally used with a machine threaded fastener and nut to spread the load over a greater surface area when tightening a bolt, screw or nut.

RS Stock Number	Nominal size of bolt or screw	Internal diameter (D1)	Outside Diameter (D2)	Thickness (S)	Weight in Copper (KG/1000 Pieces)	Weight in Aluminium (KG/1000 Pieces)
293-167	M3	3.0 – 3.3	6.7 – 7.0	0.8 – 1.2	0.137	0.043
293-173	M4	4.2 - 4.5	7.7 – 7.9	0.8 – 1.2	0.356	0.111
293-189	M5	5.2 – 5.5	8.7 – 8.9	0.8 – 1.2	0.410	0.127
293-195	M6	6.2 – 6.5	9.7 – 9.9	0.8 – 1.2	0.657	0.204
293-202	M8	8.2 – 8.5	11.7 – 11.9	0.8 – 1.2	1.52	0.471
293-218	M10	10.2 – 10.5	13.7 – 13.9	0.8 – 1.2	2.89	0.9
293-224	M12	12.2 – 12.5	15.7 – 15.9	0.8 – 1.2	4.57	1.42

RS Components, Professionally Approved Products, gives you professional quality parts across all categories. Our range has been testified by engineers as giving comparable quality to that of the leading brands without paying a premium price.