

**Professionally approved products.**

## Datasheet

# SPST Panel Mount Momentary Push Button Switch, Black

RS Stock number 734-6827



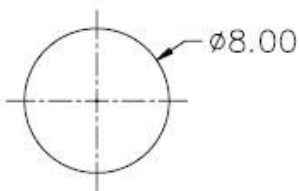
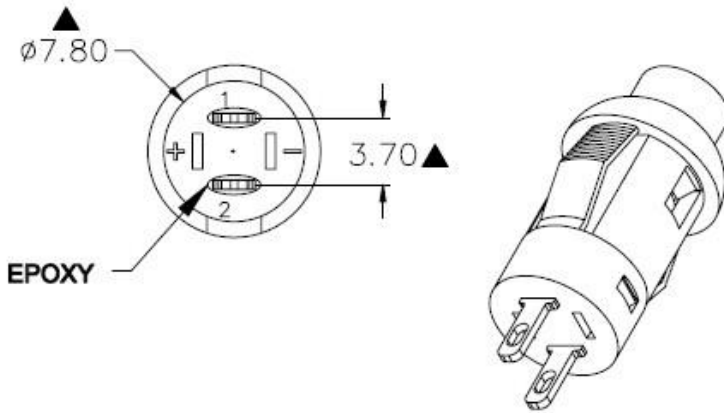
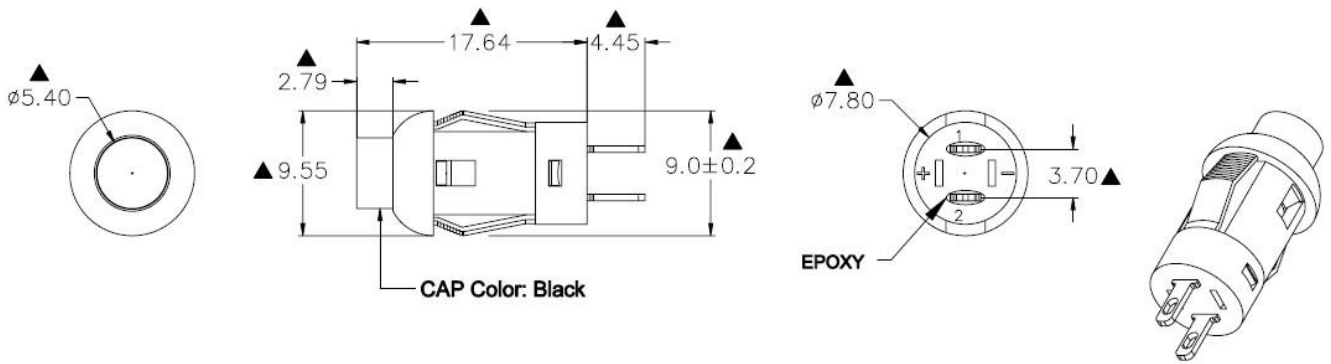
### Specifications:

POLE-POSITION :	Momentary Type, SPST
CONTACT RATING :	30V DC,0.1A
CONTACT RESISTANCE :	50mΩ max. 1.5V DC ; 100mA, by method of voltage DROP
INSULATION RESISTANCE :	100 MΩ min. 500V DC
DIELECTRIC STRENGTH :	500V AC for 1 Minute
OPERATING FORCE :	250±100gf
OPERATING LIFE :	50,000 cycles
OPERATING TEMPERATURE RANGE :	-40°C ~ 85°C
TOTAL TRAVEL :	1.2±0.3mm
CAP :	PC
CASE & HOUSING :	Nylon 6/6
TERMINALS :	Copper alloy with gold plated.

**Professionally approved products.**

**Datasheet**

Dimensions – mm



For 0.8~1.2 THK PANEL

**PANEL MOUNTING**



**SWITCH FUNCTION**