

Datasheet

Black, DPDT Panel Mount ON-(ON) Push Button Switch

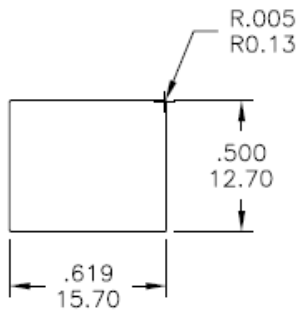
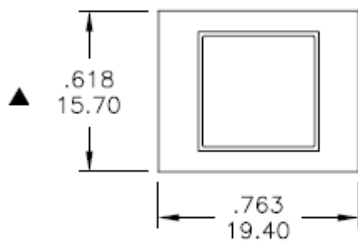
RS Stock number 734-6772



Specifications:

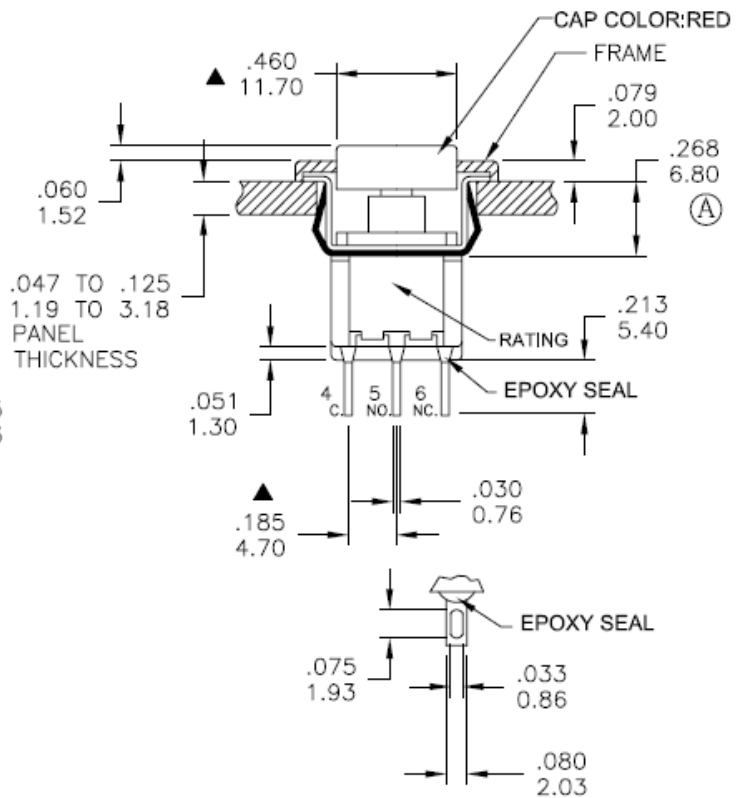
Mechanical Life:	50,000 make-and-break cycles
Contact Resistance:	20m Ω max. Initial @ 2-4V DC, 100mA for both silver and gold plated
Insulation Resistance:	1,000M Ω min.
Dielectric Strength:	1,000Vrms @ sea level
Operating Temperature:	-30°C to 85°C
Case:	Diallyl phthalate (DAP) (UL94V-0)
Plunger:	Glass filled nylon or glass filled polyester
Bushing:	Brass, nickel plated
Housing:	Stainless Steel
Contact:	Silver or gold plated
RoHS:	2002/95/EC

**Dimensions – inch
mm**



INCREASE TO .620/.625 15.75/15.88
FOR .091/.125 2.31/3.18 THK PANEL

PANEL MOUNTING



SOLDER LUG

Model No.	POS.1	POS.2
7MD7	ON	MOM
Term. Comm.	1-3,4-6	1-2,4-5
SCHEMATIC		

SWITCH FUNCTION