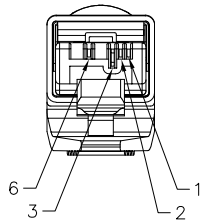
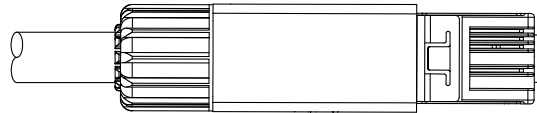


MALE END VIEW

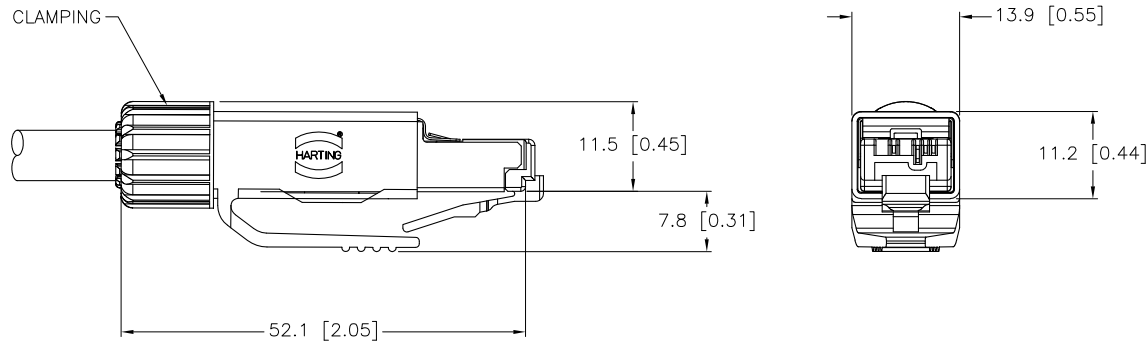


SPECIFICATIONS

HOUSING MATERIAL/COLOR	POLYCARBONATE/BLACK UL 94-V0, UV RESISTANT acc. to UL 746c
PROTECTION LEVEL	IP 20
MATING INTERFERENCE	RJ45 in accordance with IEC 60603-7
WIRE GAUGE DATA	22-24 AWG, STRANDED 22-23 AWG, SOLID
OPERATING TEMPERATURE	-40°C to +70°C (-40°F to +158°F)
CABLE SHEATH DIAMETER	6.5mm - 6.9mm
MATING CYCLES	MIN. 750



M10 NUT WITH CABLE CLAMPING



SOURCE DRAWING - FOR REFERENCE ONLY

RELATED DOCUMENTS		3RD ANGLE PROJECTION		THIS DRAWING IS PROPERTY OF TURCK INC. USE OF THIS DOCUMENT WITHOUT WRITTEN PERMISSION IS PROHIBITED.		TURCK INC High Technology Sensors and Automation Controls 3000 CAMPUS DRIVE MINNEAPOLIS, MN 55441 1-800-544-7769 (763) 553-7300 (763) 553-0708 fax turck.com	
1. 2. 3. 4.				DRFT RDS	DATE 03/29/06	DESCRIPTION CONNECTOR, RJ45S IDC	
MATERIAL		ALL DIMENSIONS DISPLAYED ON THIS DRAWING ARE FOR REFERENCE ONLY		DSGN	SCALE 1=1.0	IDENTIFICATION NO. U3-00777	
FINISH		CONTACT TURCK FOR MORE INFORMATION		UNIT OF MEASUREMENT MILLIMETER [INCH]		REV A	
A DRAWING RELEASE		RDS 03/29/06		DO NOT SCALE THIS DRAWING		FILE: U3-00777	
REV	DESCRIPTION	BY	DATE	ECO NO.	SHEET 1 OF 1		