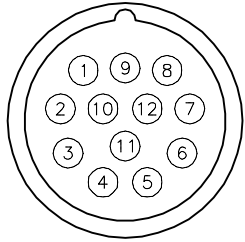
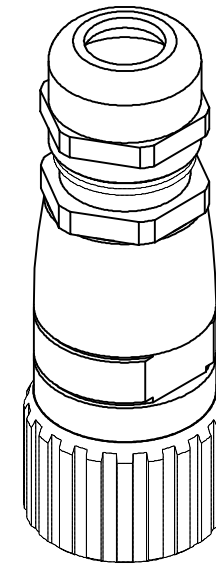
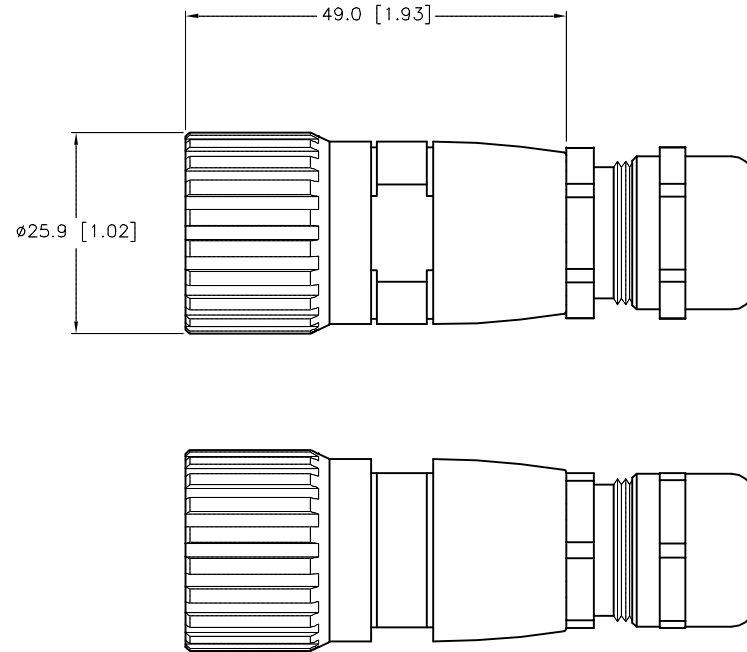


FEMALE CONNECTOR – END VIEW



SPECIFICATIONS

CONTACT CARRIER MATERIAL	PBT OR NYLON
CONTACT MATERIAL/PLATING	BRASS/GOLD
COUPLING NUT MATERIAL	STAINLESS STEEL
GASKET	VITON
RATED CURRENT [A]	8.0 A
RATED VOLTAGE [V]	150 V
MAX. CONDUCTORS SIZE	18 AWG
TERMINATION METHOD	SOLDER
TEMPERATURE	-40°C to 125°C (-40°F to 257°F)
PROTECTION CLASS	IEC IP65, IP68
CABLE DIAMETERS	7mm (.726") TO 10mm (.394")



SOURCE DRAWING – FOR REFERENCE ONLY

RELATED DOCUMENTS 1. 2. 3. 4.		3RD ANGLE PROJECTION 		THIS DRAWING IS CONFIDENTIAL AND THE PROPERTY OF TURCK INC. USE OF THIS DOCUMENT WITHOUT WRITTEN PERMISSION IS PROHIBITED.		3000 CAMPUS DRIVE MINNEAPOLIS, MN 55441 1-800-544-7769 (763) 553-7300 (763) 553-0708 fax turck.com	
MATERIAL		DRFT	KMY	DATE	09/07/12	DESCRIPTION	
FINISH		APVD	A.A.	SCALE	1=1.0	CKV 12-0	
ALL DIMENSIONS DISPLAYED ON THIS DRAWING ARE FOR REFERENCE ONLY CONTACT TURCK FOR MORE INFORMATION		UNIT OF MEASUREMENT		IDENTIFICATION NO.		REV	
		MILLIMETER [INCH]		U2-20828		A	
A		DRAWING RELEASE		KMY		09/11/12	
REV		DESCRIPTION		BY		DATE	
				ECO NO.		FILE: U2-20828	
				DO NOT SCALE THIS DRAWING		SHEET 1 OF 1	