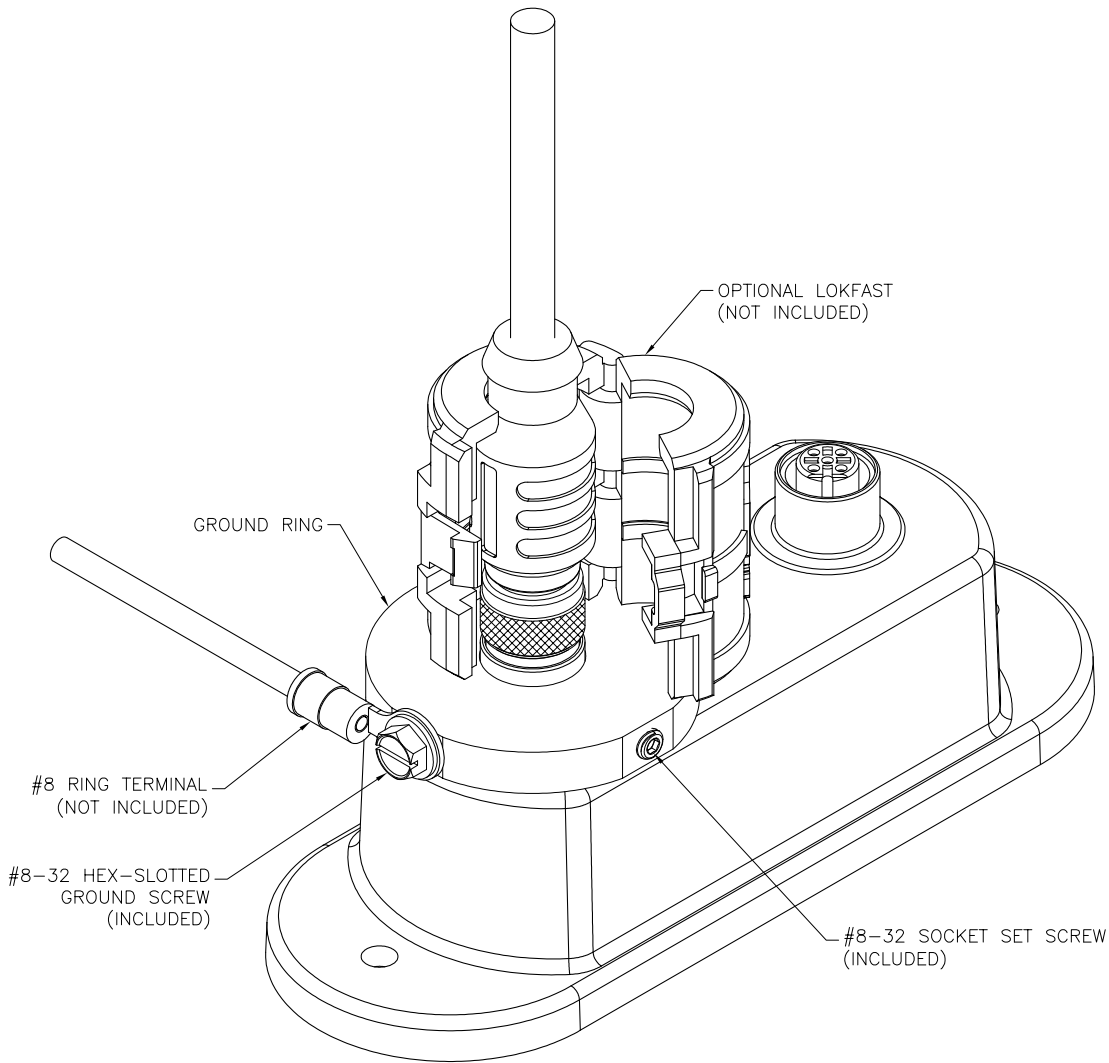
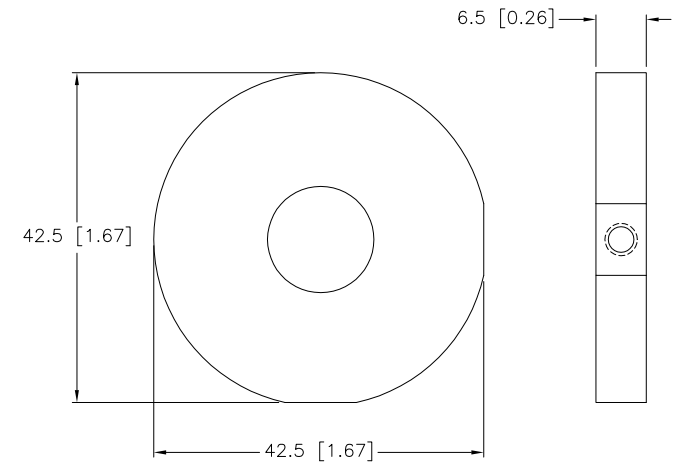


SPECIFICATIONS	
RING MATERIAL/PLATING	BRASS/NICKEL
GROUND SCREW MATERIAL/FINISH	STAINLESS STEEL/ZINC GREEN
SET SCREW MATERIAL/PLATING	STAINLESS STEEL/PLAIN



GROUND RING INSTALLATION NOTES:

- PLACE GROUND RING OVER FEMALE CONNECTOR.
- TIGHTEN SET SCREW TO LOCK RING INTO PLACE.
- INSTALL GROUND WIRE, WITH #8 RING TERMINAL.
- TIGHTEN GROUND SCREW WITH FLATHEAD SCREWDRIVER.
- INSTALL MATING CONNECTOR.



SOURCE DRAWING - FOR REFERENCE ONLY

NOTES:

1. FOR USE WITH #8 SIZE RING TERMINALS.
2. GROUND KIT FITS FEMALE EUROFAST CONDUIT ADAPTERS.
3. EUROFAST LOCKOUTS, "A0885" AND "A9104", MAY BE USED WITH GROUND KIT.

RELATED DOCUMENTS		3RD ANGLE PROJECTION		THIS DRAWING IS PROPERTY OF TURCK INC. USE OF THIS DOCUMENT WITHOUT WRITTEN PERMISSION IS PROHIBITED.		TURCK INC High Technology Sensors and Automation Controls 3000 CAMPUS DRIVE MINNEAPOLIS, MN 55441 1-800-544-7769 (763) 553-7300 (763) 553-0708 fax turck.com	
1. 2. 3. 4.				DRFT GB	DATE 08/07/06	DESCRIPTION CA GROUND RING - EURO FEMALE	
MATERIAL SEE SPECIFICATIONS		ALL DIMENSIONS DISPLAYED ON THIS DRAWING ARE FOR REFERENCE ONLY		DSGN	SCALE 1=1.0	IDENTIFICATION NO. A9281	
FINISH SEE SPECIFICATIONS		CONTACT TURCK FOR MORE INFORMATION		UNIT OF MEASUREMENT MILLIMETER [INCH]		REV A	
A DRAWING RELEASE		TH 09/12/06		DO NOT SCALE THIS DRAWING		FILE: A9281	
REV DESCRIPTION		BY DATE ECO NO.				SHEET 1 OF 1	