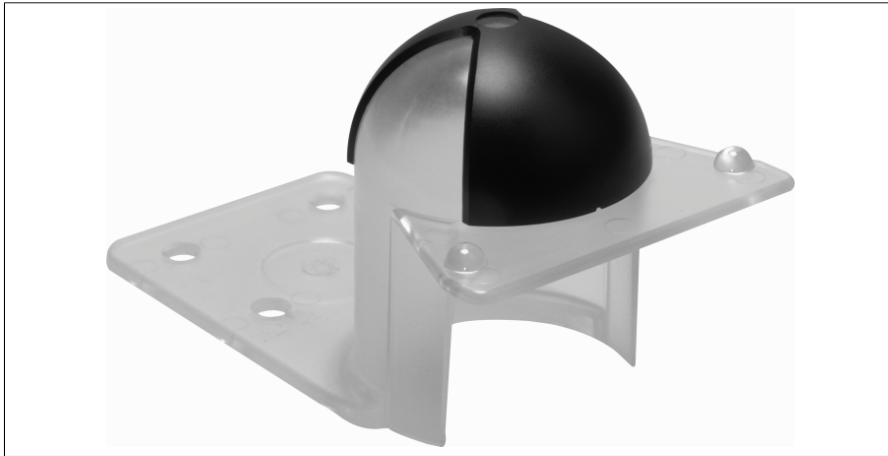


Accessories

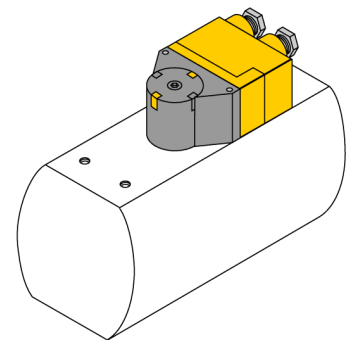
BTS-DSU35-DOME COVER-US



- Actuation kit (puck)
- End position damped
- end position (open/closed) infinitely adjustable in a range of 360 °
- Displays rotatable by 90 °
- graduation as an adjustment aid
- Hole pattern on flange face 30 x 80 mm (30 x 130 mm); connection shaft (shaft extension) height 20 mm / max. Ø 30 mm
- Mounting screws with US thread for sensor and actuator are included

General description

Dual sensors are especially designed for position detection in rotary actuators. They combine the reliability of non-contact inductive sensors with the flexibility of a modular housing system. A broad range of practice-oriented accessories ensure optimal adaption to your system.



Type	BTS-DSU35-DOME COVER-US
ID	6901075
Design	Accessories for dual sensors, Ni4-DSU35...
Dimensions	110 x 62.2 x 61 mm
Housing material	Plastic, PC
Included in delivery	2x cylinder screw 10x32 3/8" 2x lock washers #10