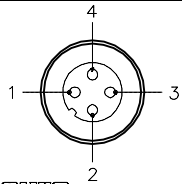
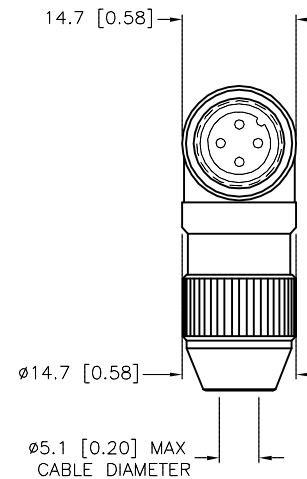
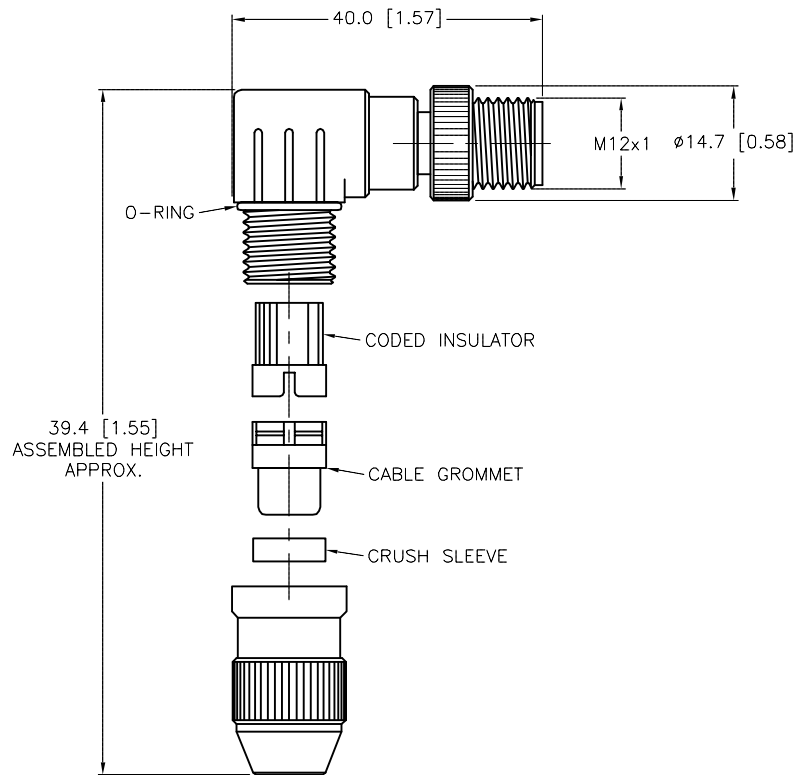


MALE END VIEW



SPECIFICATIONS

CONTACT MATERIAL/PLATING	GOLD-PLATED BRASS
COUPLING NUT MATERIAL/PLATING	NICKEL-PLATED BRASS
RATED CURRENT [A]	4.0 A
RATED VOLTAGE [V]	32 V
MAXIMUM WIRE SIZE	22 AWG
CABLE GRIP RANGE	4-5.1mm
TEMPERATURE RATING	-25°C to +85°C (-13°F to +185°F)
PROTECTION CLASS	IEC IP67
SPACINGS	to VDE 0110 GROUP C
WIRE TERMINATION	IDC



SOURCE DRAWING - FOR REFERENCE ONLY

RELATED DOCUMENTS 1. 2. 3. 4.	3RD ANGLE PROJECTION 	THIS DRAWING IS CONFIDENTIAL AND THE PROPERTY OF TURCK INC. USE OF THIS DOCUMENT WITHOUT WRITTEN PERMISSION IS PROHIBITED.		TURCK IAC High Technology Sensors and Automation Controls 3000 CAMPUS DRIVE MINNEAPOLIS, MN 55441 1-800-544-7769 (763) 553-7300 (763) 553-0708 fax turck.com	
	MATERIAL SEE SPECIFICATIONS	DRFT JBJ DATE 06/07/01	DESCRIPTION BS 8246-0	IDENTIFICATION NO. U6579 REV A	
FINISH SEE SPECIFICATIONS	ALL DIMENSIONS DISPLAYED ON THIS DRAWING ARE FOR REFERENCE ONLY	DSGN SCALE 1=1.0 UNIT OF MEASUREMENT MILLIMETER [INCH]	DO NOT SCALE THIS DRAWING FILE: EURO-FW\U6579 SHEET 1 OF 1		
CONTACT TURCK FOR MORE INFORMATION					

A	DRAWING RELEASE	JBJ	03/26/04	
REV	DESCRIPTION	BY	DATE	ECO NO.