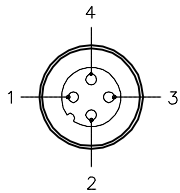
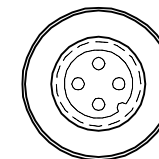
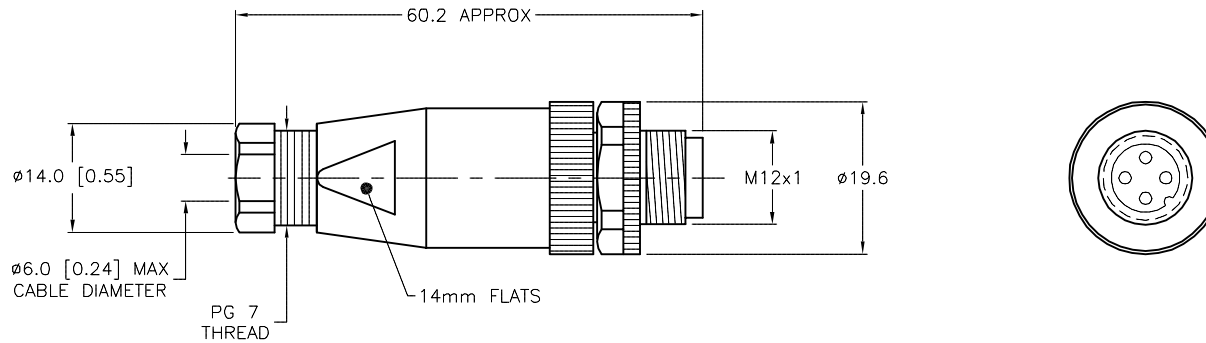


MALE END VIEW



SPECIFICATIONS

HOUSING MATERIAL/PLATING	PBT/CLEAR
CONTACT MATERIAL/PLATING	BRASS/NICKEL
COUPLING NUT MATERIAL/PLATING	BRASS/NICKEL
RATED CURRENT [A]	4.0 A
RATED VOLTAGE [V]	10-30 V
LED CURRENT	14mA MAX AT 28VDC SUPPLY VOLTAGE (PER LED)
MAXIMUM WIRE SIZE	18 AWG
CABLE GRIP RANGE	4-6mm
TEMPERATURE RATING	-40°C to +85°C (-40°F to +185°F)
PROTECTION CLASS	IEC IP67



SOURCE DRAWING - FOR REFERENCE ONLY

RELATED DOCUMENTS 1. 2. 3. 4.	3RD ANGLE PROJECTION 	THIS DRAWING IS CONFIDENTIAL AND THE PROPERTY OF TURCK INC. USE OF THIS DOCUMENT WITHOUT WRITTEN PERMISSION IS PROHIBITED.		3000 CAMPUS DRIVE MINNEAPOLIS, MN 55441 1-800-544-7769 (763) 553-7300 (763) 553-0708 fax turck.com	
	MATERIAL SEE SPECIFICATIONS	ALL DIMENSIONS DISPLAYED ON THIS DRAWING ARE FOR REFERENCE ONLY	DRFT JBJ DATE 02/02/01	DESCRIPTION BS 8141-P7X2-0	IDENTIFICATION NO. U6425
FINISH SEE SPECIFICATIONS	CONTACT TURCK FOR MORE INFORMATION	UNIT OF MEASUREMENT MILLIMETER [INCH]		REV B	
DO NOT SCALE THIS DRAWING		FILE: U6425		SHEET 1 OF 1	

B	SUPPLIER CHANGE NUT, UPDATE VIEW, SEE ECO	RWC	09/13/06	16096
REV	DESCRIPTION	BY	DATE	ECO NO.