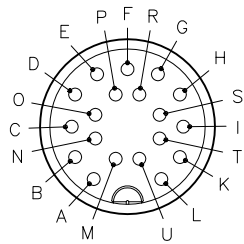



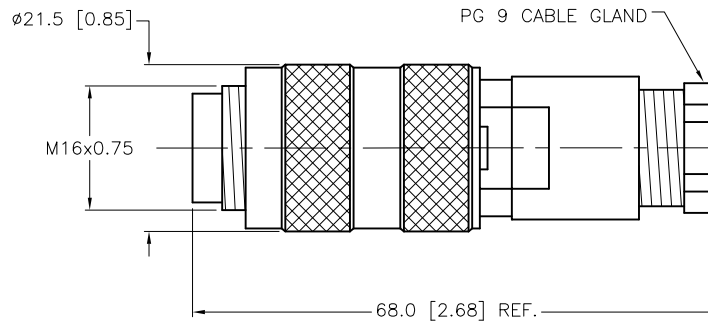
MALE END VIEW




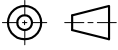
 M16 connector

SPECIFICATIONS

CONTACT CARRIER MATERIAL	NYLON
CONTACT MATERIAL/PLATING	BRASS/GOLD
HOUSING MATERIAL	NYLON
COUPLING NUT MATERIAL/PLATING	BRASS/NICKEL
RATED CURRENT [A]	3.0 A
RATED VOLTAGE [V]	30 V
TEMPERATURE RANGE	-30°C to +95°C [-22°F to +203°F]
PROTECTION CLASS	MEETS IEC IP67
CABLE GLAND	PG 9 - ACCEPTS 6-8mm CABLE
MAX. CONDUCTOR SIZE	24 AWG
TERMINATION TYPE	SOLDER CUP



SOURCE DRAWING - FOR REFERENCE ONLY

RELATED DOCUMENTS		3RD ANGLE PROJECTION		THIS DRAWING IS CONFIDENTIAL AND THE PROPERTY OF TURCK INC. USE OF THIS DOCUMENT WITHOUT WRITTEN PERMISSION IS PROHIBITED.		 3000 CAMPUS DRIVE MINNEAPOLIS, MN 55441 1-800-544-7769 (763) 553-7300 (763) 553-0708 fax turck.com	
1. 2. 3. 4.				DRFT RDS		DATE 06/23/11	
MATERIAL		ALL DIMENSIONS DISPLAYED ON THIS DRAWING ARE FOR REFERENCE ONLY		APVD		SCALE 1=1.0	
FINISH		CONTACT TURCK FOR MORE INFORMATION		UNIT OF MEASUREMENT		DESCRIPTION	
				MILLIMETER [INCH]		BS 19-0	
				DO NOT SCALE THIS DRAWING		IDENTIFICATION NO.	
						U2-07159	
						REV	
						B	
B DRAWING PROCESSED AS PART OF ECO 39020		KMY 06/08/12 39020		FILE: U2-07159		SHEET 1 OF 1	
REV DESCRIPTION		BY DATE ECO NO.					