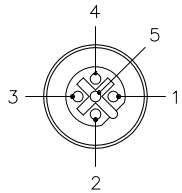
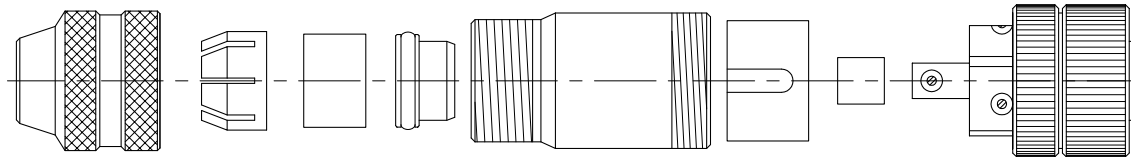
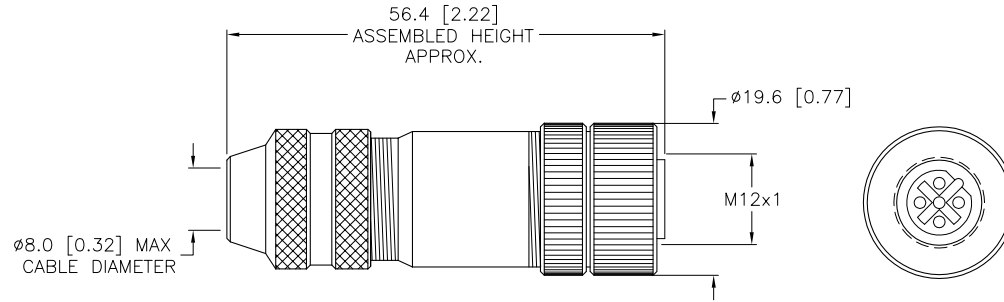


FEMALE END VIEW



SPECIFICATIONS

CONTACT MATERIAL/PLATING	BRASS/GOLD
COUPLING NUT MATERIAL/PLATING	BRASS/NICKEL
RATED CURRENT [A]	4.0 A
RATED VOLTAGE [V]	60V
MAXIMUM WIRE SIZE	18 AWG
CABLE GRIP RANGE	6-8mm
TEMPERATURE RATING	-25°C to +85°C (-13°F to +185°F)
PROTECTION CLASS	IEC IP67
WIRE TERMINATION	SCREW TERMINAL



EXPLODED VIEW

SOURCE DRAWING - FOR REFERENCE ONLY

ALL METAL SHIELDED FIELD WIREABLE CONNECTOR

RELATED DOCUMENTS		3RD ANGLE PROJECTION		THIS DRAWING IS PROPERTY OF TURCK INC. USE OF THIS DOCUMENT WITHOUT WRITTEN PERMISSION IS PROHIBITED.		TURCK INC High Technology Sensors and Automation Controls 3000 CAMPUS DRIVE MINNEAPOLIS, MN 55441 1-800-544-7769 (763) 553-7300 (763) 553-0708 fax turck.com	
1.			ALL DIMENSIONS DISPLAYED ON THIS DRAWING ARE FOR REFERENCE ONLY	DRFT	JBJ	DATE	02/02/01
2.				DSGN		SCALE	1=1.0
3.		MATERIAL		UNIT OF MEASUREMENT		IDENTIFICATION NO.	
4.		SEE SPECIFICATIONS		MILLIMETER [INCH]		REV	
FINISH		SEE SPECIFICATIONS		CONTACT TURCK FOR MORE INFORMATION		U8150	
DO NOT SCALE THIS DRAWING		FILE: U8150		SHEET 1 OF 1			

B	UPDATE SPECIFICATIONS, SEE ECO	RDS	02/17/11	34270
REV	DESCRIPTION	BY	DATE	ECO NO.