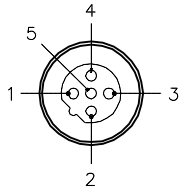


MALE END VIEW

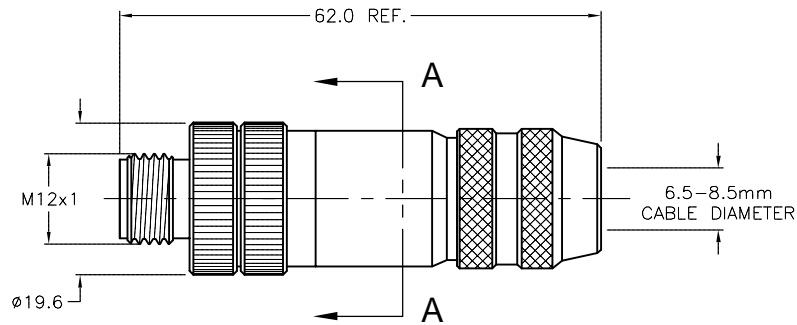


- 1 = N/C
- 2 = GREEN (BUS\_A)
- 3 = N/C
- 4 = RED (BUS\_B)
- 5 = BARE (SHIELD)



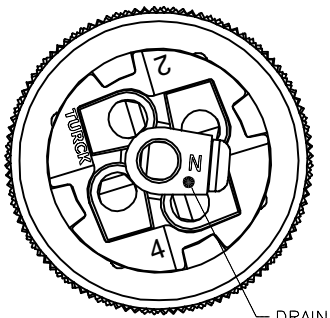
SPECIFICATIONS

CONTACT MATERIAL/PLATING	BRASS/GOLD
COUPLING NUT MATERIAL/PLATING	BRASS/NICKEL
RATED CURRENT [A]	4.0 A
RATED VOLTAGE [V]	30 VAC/36 VDC
MAXIMUM WIRE SIZE	18 AWG
CABLE GRIP RANGE	6.5-8.5mm
TEMPERATURE RATING	-40°C to +85°C (-40°F to +185°F)
PROTECTION CLASS	IEC IP67
WIRE TERMINATION	SCREW TERMINAL



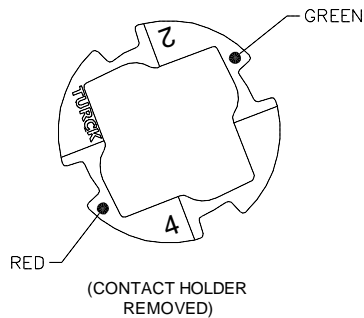
DETAIL "A"

WIRE SIDE VIEW OF CONTACT HOLDER TO SHOW LABEL DETAILS



(SCALE 2:1)

LABEL DETAIL



SOURCE DRAWING - FOR REFERENCE ONLY

RELATED DOCUMENTS 1. 2. 3. 4.	3RD ANGLE PROJECTION 	THIS DRAWING IS CONFIDENTIAL AND THE PROPERTY OF TURCK INC. USE OF THIS DOCUMENT WITHOUT WRITTEN PERMISSION IS PROHIBITED.		<b>TURCK INC</b> High Technology Sensors and Automation Controls 3000 CAMPUS DRIVE MINNEAPOLIS, MN 55441 1-800-544-7769 (763) 553-7300 (763) 553-0708 fax turck.com	
	MATERIAL  SEE SPECIFICATIONS	DRFT RDS APVD	DATE 06/27/08 SCALE 1=1.0	DESCRIPTION BMSWS 8151-8.5/PDP	
FINISH  SEE SPECIFICATIONS	CONTACT TURCK FOR MORE INFORMATION	UNIT OF MEASUREMENT <b>MILLIMETERS [INCH]</b>		IDENTIFICATION NO. U2-13627	REV B
DO NOT SCALE THIS DRAWING		FILE: U2-13627		SHEET 1 OF 1	

B	UPDATE CABLE GRIP RANGE	RDS	01/06/16	52910
REV	DESCRIPTION	BY	DATE	ECO NO.