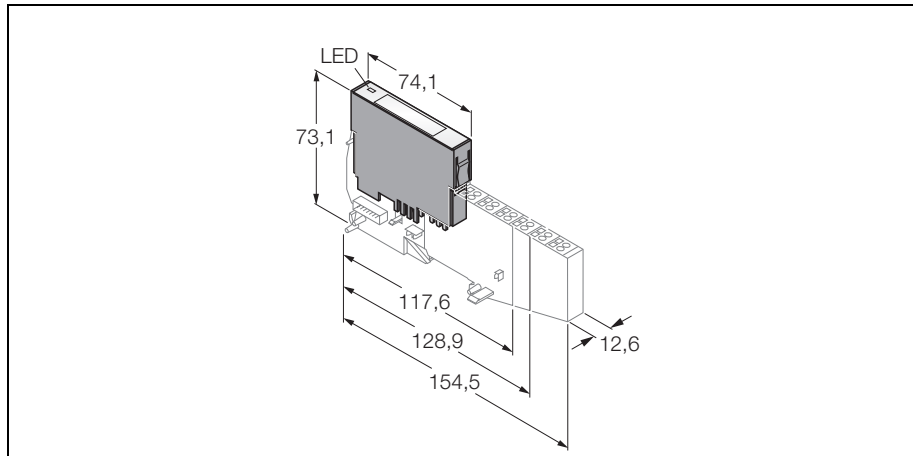


BL20 electronic module
4 analogue inputs
BL20-4AI-U/I



- independent of the type of fieldbus and connection technology used
- degree of protection IP20
- LEDs for display of status and diagnostics
- electronics galvanically isolated from the field level via opto couplers
- 4 analogue inputs
- 0/4...20 mA or 10/0...+10 V DC
- selectable per channel

Functional principle

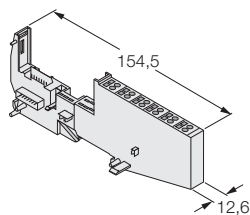
BL20 electronic modules are plugged into the purely passive base modules which are used for connection of field devices. Maintenance is significantly facilitated due to separation of the connection level from the module electronics. Furthermore flexibility is enhanced because the base modules provide a choice of tension spring or screw connection technology. The electronic modules are completely independent of the type of higher level field bus through the use of gateways.

Type	BL20-4AI-U/I
Ident-No.	6827217
Number of channels	4
Rated voltage from the supply terminal	24 VDC
Rated current from field supply	≤ 20 mA
Rated current from module bus	≤ 50 mA
Power loss, typical	≤ 1 W
Inputs	
Input type	0/4 ... 20 mA or -10/0 ... +10 VDC
Input resistance	< 0.062 bzw > 98.5
Max. input current	50 mA
Max. input voltage	35 V dauernd
Electrical isolation	electronics for the field level
Maximum limiting frequency, analogue	< 20 Hz
Basic fault limit at 23 °C	< 0.3 %
Repeatability	0.05 %
Temperature coefficient	< 300 ppm/°C of full scale
Resolution	16 Bit
Measuring principle	Delta Sigma
Number of diagnostic bytes	4
Number of parameter bytes	4
Operating temperature	0 to +55 °C
Storage temperature	-25 to +85 °C
Relative humidity	5 to 95% (internal), Level RH-2, no condensation (at 45 °C storage)
Vibration test	acc. to EN 61131
Shock test	acc. to IEC 68-2-27
Drop and topple	acc. to IEC 68-2-31 and free fall to IEC 68-2-32
Electro-magnetic compatibility	acc. to EN 50,082-2
Degree of protection	IP20

BL20 electronic module
4 analogue inputs
BL20-4AI-U/I

compatible base modules

Dimension drawing



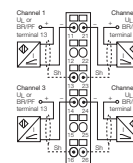
Type

BL20-S6T-SBCSBC
 Ident-No. 6827064
 tension spring connection

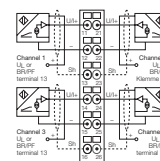
BL20-S6S-SBCSBC
 Ident-No. 6827066
 screw connection

Pin configuration

2-wire technology



3-wire technology



4-wire technology

