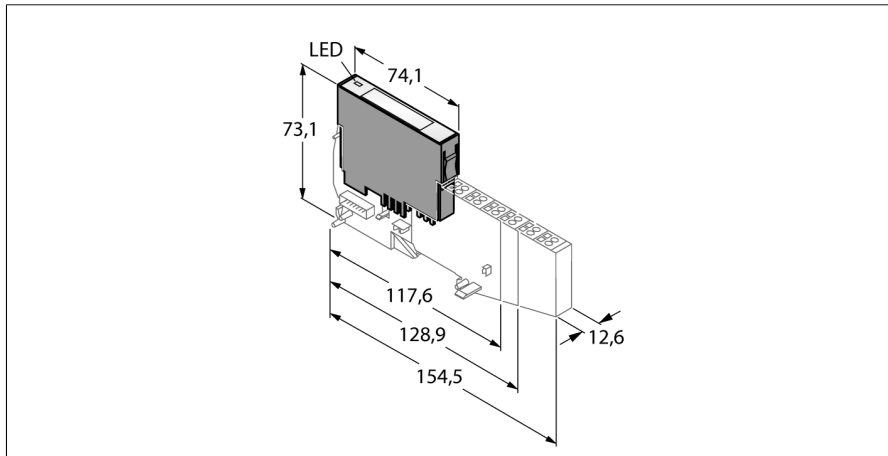


BL20 electronic module

1 Analog Output for Current

BL20-1AO-I(0/4...20MA)



- Fieldbus and connection technology independent
- Protection class IP20
- LEDs indicate status and diagnostic
- Electronics galvanically separated from the field level via optocouplers
- 1 analog output 0/4...20 mA

Functional principle

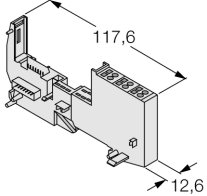
BL20 electronic modules are plugged into the purely passive base modules which are used for connection of field devices. Maintenance is significantly facilitated due to separation of the connection level from the module electronics. Furthermore flexibility is enhanced because the base modules provide a choice of tension spring or screw connection technology.

The electronic modules are completely independent of the type of higher level field bus through the use of gateways.

Type	BL20-1AO-I(0/4...20MA)
ID	6827032
Number of channels	1
Rated voltage from the supply terminal	24 VDC
Nominal current from field supply	≤ 50 mA
Nominal current from module bus	≤ 39 mA
Power dissipation, typical	≤ 1 W
Output connectivity	Screw, tension spring
Outputs	
Output type	0/4...20 mA
Load resistance, resistive	< 0.55 kΩ
Load resistance, inductive	< 1 mH
Electrical isolation	electronics for the field level
Basic fault limit at 23 °C	< 0.2 %
Repeatability	0.05 %
Temperature coefficient	< 300 ppm/°C of full scale
Resolution	16 Bit
Measured-value display	16 bit signed integer
	12 bit full range left justified
Cycle time	≤ 5 ms
Number of parameter bytes	3
Dimensions (W x L x H)	12.6 x 74.1 x 55.4 mm
Approvals	CE, cULus
Ambient temperature	0...+55 °C
Storage temperature	-25...+85 °C
Relative humidity	15...95 %, no condensation allowed
Vibration test	Acc. to EN 61131
Shock test	Acc. to IEC 60068-2-27
Drop and topple	acc. to IEC 68-2-31 and free fall to IEC 68-2-32
Electromagnetic compatibility	Acc. to EN 50082-2
Protection class	IP20

BL20 electronic module
1 Analog Output for Current
BL20-1AO-I(0/4...20MA)

Compatible base modules

Dimension drawing	Type	Pin configuration
	<p>BL20-S3T-SBB 6827044 tension spring connection</p> <p>BL20-S3S-SBB 6827045 screw connection</p>	<p>Wiring Diagram</p> 