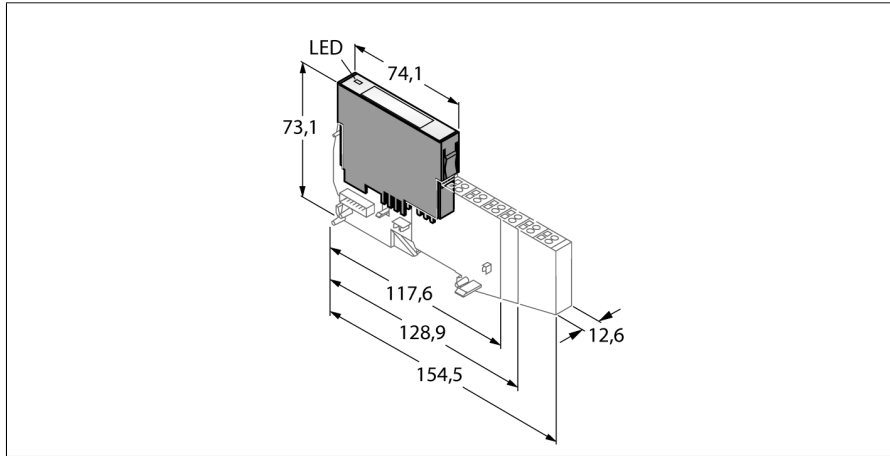


BL20 electronic module
1 Analog Input for Current
BL20-1AI-I(0/4...20MA)



- Fieldbus and connection technology independent
- Protection class IP20
- LEDs indicate status and diagnostic
- Electronics galvanically separated from the field level via optocouplers
- 1 analog input 0/4...20 mA

Functional principle

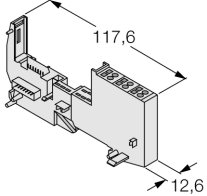
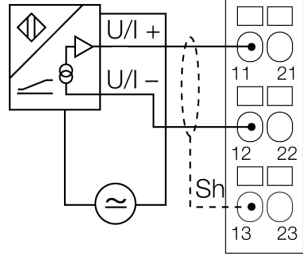
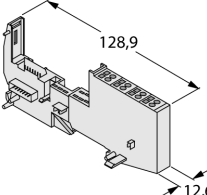
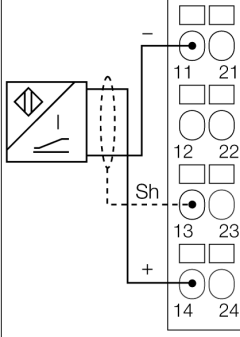
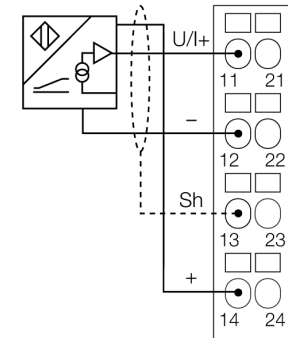
BL20 electronic modules are plugged into the purely passive base modules which are used for connection of field devices. Maintenance is significantly facilitated due to separation of the connection level from the module electronics. Furthermore flexibility is enhanced because the base modules provide a choice of tension spring or screw connection technology.

The electronic modules are completely independent of the type of higher level field bus through the use of gateways.

Type	BL20-1AI-I(0/4...20MA)
ID	6827018
Number of channels	
Rated voltage from the supply terminal	24 VDC
Nominal current from field supply	≤ 50 mA
Nominal current from module bus	≤ 41 mA
Power dissipation, typical	≤ 1 W
Inputs	
Input type	0/4...20 mA
Input resistance	< 0.125
Max. input current	50 mA
Electrical isolation	electronics for the field level
Output connectivity	Screw, tension spring
Basic fault limit at 23 °C	
Repeatability	< 0.2 %
Temperature coefficient	0.09 %
Resolution	< 300 ppm/°C of full scale
Measuring principle	14 Bit
Measured-value display	successive approximation
	16 bit signed integer
	12 bit full range left justified
Cycle time	≤ 3 ms
Number of diagnostics bytes	
Number of parameter bytes	1
Dimensions (W x L x H)	
Approvals	12.6 x 74.1 x 55.4 mm
Ambient temperature	CE, cULus
Storage temperature	0...+55 °C
Relative humidity	-25...+85 °C
Vibration test	15...95 %, no condensation allowed
Shock test	Acc. to EN 61131
Drop and topple	Acc. to IEC 60068-2-27
Electromagnetic compatibility	acc. to IEC 68-2-31 and free fall to IEC 68-2-32
Protection class	Acc. to EN 50082-2
	IP20

BL20 electronic module
1 Analog Input for Current
BL20-1AI-I(0/4...20MA)

Compatible base modules

Dimension drawing	Type	Pin configuration
	<p>BL20-S3T-SBB 6827044 tension spring connection with external sensor supply</p> <p>BL20-S3S-SBB 6827045 screw connection with external sensor supply</p>	<p>Wiring Diagram</p> 
	<p>BL20-S4T-SBBS 6827046 tension spring connection</p> <p>BL20-S4S-SBBS 6827047 screw connection</p>	<p>2-wire Connection</p>  <p>3-wire Connection</p>  <p>4-wire connection</p> 