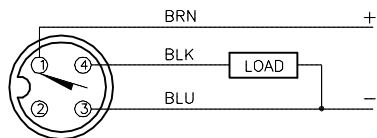


WIRING DIAGRAM

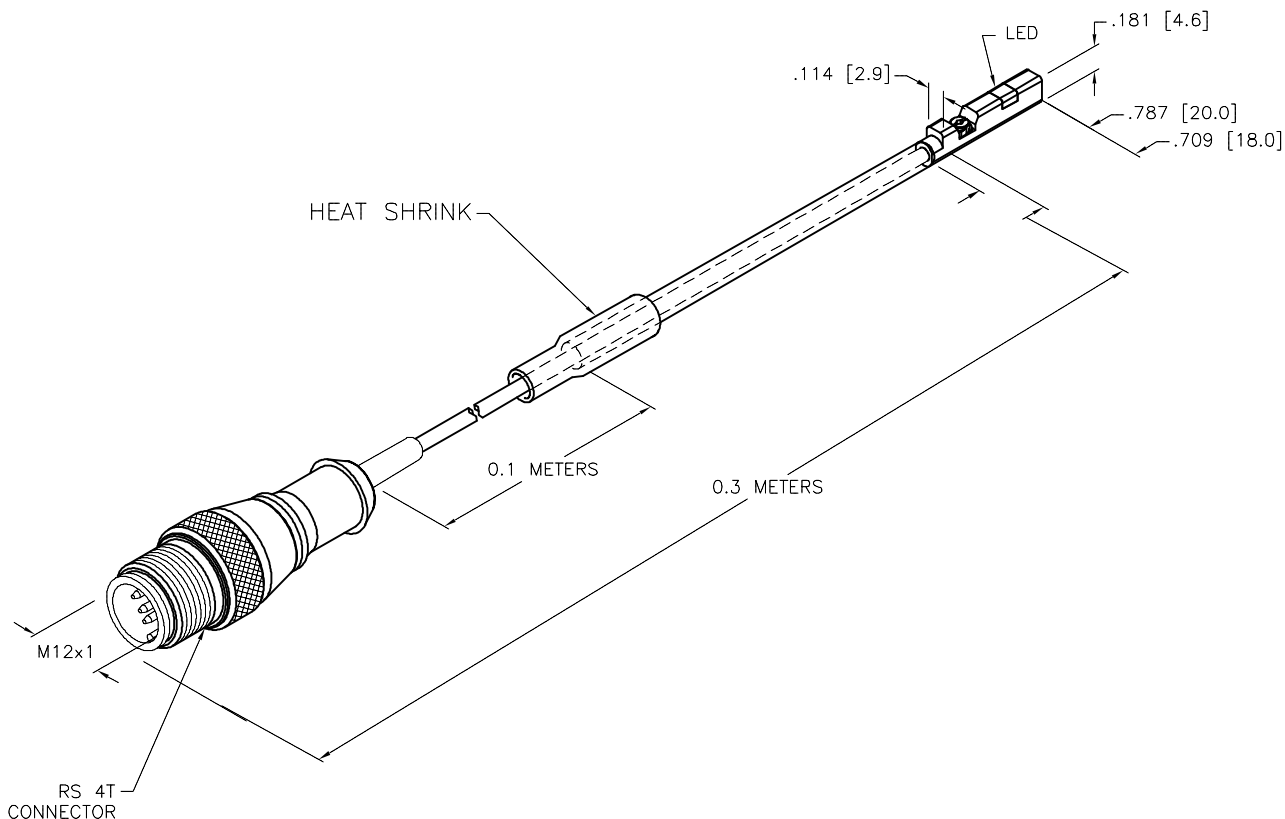


OUTPUT: AP6X

SHORT-CIRCUIT AND OVERLOAD PROTECTED

SPECIFICATIONS PER SENSOR

PASS SPEED	≤ 3 m/s
HYSTERESIS	≤ 1mm
TEMPERATURE DRIFT	≤ 0.1mm
MIN. ABSOLUTE REPEAT ACCURACY	≥ ±0.1mm
OPERATING TEMPERATURE	-25°C to +70°C (-13°F to +158°F)
RATED OPERATIONAL VOLTAGE	10-30 VDC
RESIDUAL RIPPLE	≤ 10%
DC RATED OPERATIONAL CURRENT	≤ 100 mA
NO-LOAD CURRENT	≤ 15 mA
RESIDUAL CURRENT	≤ 0.1 mA
MAX. SWITCHING FREQUENCY	≤ 0.3 kHz
RATED INSULATION VOLTAGE	≤ 0.5 kV
OUTPUT FUNCTION	NORMALLY OPEN, 3-WIRE, PNP
SHORT-CIRCUIT PROTECTION	YES, CYCLIC
MAX. VOLTAGE DROP	≤ 1.8 V
WIRE BREAKAGE PROTECTION	INCORPORATED
REVERSE POLARITY PROTECTION	INCORPORATED
HOUSING MATERIAL	PLASTIC, PP
ACTIVE FACE MATERIAL	PLASTIC, PP
CABLE	∅2.0, TPU/GRAY
VIBRATION	55 Hz, 1 mm AMPLITUDE (IN ALL 3 PLANES)
SHOCK	30 g, 11 ms
DEGREE OF PROTECTION	IP67
SWITCHING STATUS INDICATION	LED, YELLOW
INCLUDED IN SCOPE OF SUPPLY	CABLE CLIP



NOTES:

- "W/M" DESIGNATES SPECIAL MOUNTING SCREW.
- "/S1764" WELDGUARD COATED SENSOR WITH FIREFAST VITON SLEEVING. SLEEVE STARTS ON SENSOR END, AND COVERS ALL BUT 100MM OF CABLE HELD IN PLACE BY SHRINK TUBE.

SOURCE DRAWING - FOR REFERENCE ONLY

RELATED DOCUMENTS		3RD ANGLE PROJECTION		THIS DRAWING IS CONFIDENTIAL AND THE PROPERTY OF TURCK INC. USE OF THIS DOCUMENT WITHOUT WRITTEN PERMISSION IS PROHIBITED.		TURCK INC High Technology Sensors and Automation Controls 3000 CAMPUS DRIVE MINNEAPOLIS, MN 55441 1-800-544-7769 (763) 553-7300 (763) 553-0708 fax turck.com	
1.				DRFT RDS		DATE 04/03/14	
2.				APVD K.H.		SCALE 1=1.0	
3.		ALL DIMENSIONS DISPLAYED ON THIS DRAWING ARE FOR REFERENCE ONLY		DESCRIPTION			
4.				BIM-UNR-AP6X-0.3M-RS 4T/S1764 W/M			
MATERIAL		SEE SPECIFICATIONS		UNIT OF MEASUREMENT			
FINISH		SEE SPECIFICATIONS		INCH [MILLIMETER] IDENTIFICATION NO. S4685842-016 REV A			
A		DRAWING RELEASE		RDS		04/03/14	
REV		DESCRIPTION		BY		DATE	
				ECO NO.		DO NOT SCALE THIS DRAWING	
						FILE: S4685842-016	
						SHEET 1 OF 1	