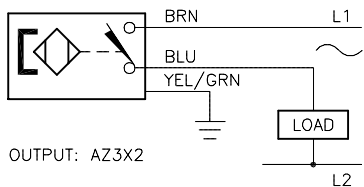


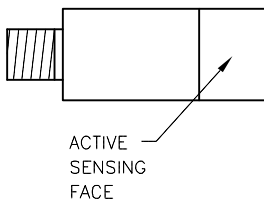
### WIRING DIAGRAM



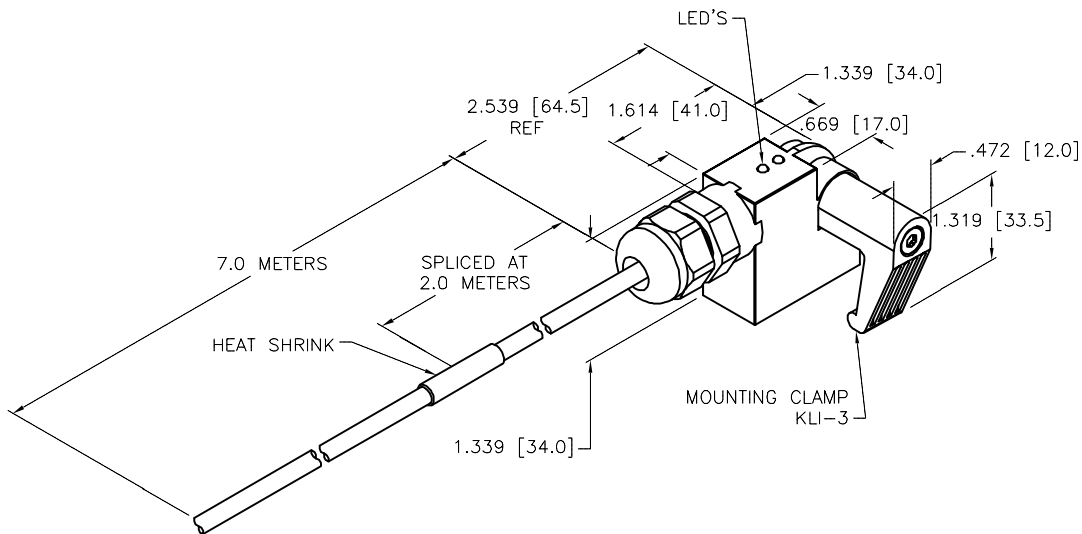
OUTPUT: AZ3X2

**WARNING: NO SHORT-CIRCUIT PROTECTION**  
ALWAYS WIRE A LOAD IN SERIES WITH THE SENSOR.

### BOTTOM VIEW



ACTIVE  
SENSING  
FACE



### SPECIFICATIONS

PASS SPEED	≤ 1.0 m/s
MIN. REPEAT ACCURACY	≥ ±0.1 mm
TEMPERATURE DRIFT	≤ 0.1mm
HYSTERESIS	≤ 1.0mm
OPERATING TEMPERATURE	-25°C to +70°C (-13°F to +158°F)
OPERATING VOLTAGE	20-250 VAC
RATED OPERATIONAL CURRENT (AC)	≤ 500mA
MAINS FREQUENCY	≥ 50 Hz to ≤ 60 Hz
RESIDUAL CURRENT	≤ 1.7 mA
RATED INSULATION VOLTAGE	≤ 1.5 kHz
MAX. VOLTAGE DROP	≤ 6.0 V
OUTPUT FUNCTION	2-WIRE, NORMALLY OPEN
SMALLEST OPERATING CURRENT	≥ 5.0 mA
MAX. SWITCHING FREQUENCY	≤ 0.02 kHz
HOUSING MATERIAL	METAL, GD-Zn
ACTIVE FACE	PLASTIC, PA12-GF30
CABLE	ø3.0, TPU
VIBRATION RESISTANCE	55 Hz, 1 mm AMPLITUDE (IN ALL 3 PLANES)
SHOCK RESISTANCE	30 g, 11 ms
DEGREE OF PROTECTION	IP67
SWITCHING STATUS INDICATION	LED, YELLOW
OPERATING VOLTAGE INDICATION	LED, GREEN

**SOURCE DRAWING - FOR REFERENCE ONLY**

NOTES:

1. MOUNTING CLAMP KLI-3 INCLUDED WITH SENSOR.

RELATED DOCUMENTS 1. 2. 3. 4.	3RD ANGLE PROJECTION 	THIS DRAWING IS CONFIDENTIAL AND THE PROPERTY OF TURCK INC. USE OF THIS DOCUMENT WITHOUT WRITTEN PERMISSION IS PROHIBITED.		<b>TURCK INC</b> High Technology Sensors and Automation Controls 3000 CAMPUS DRIVE MINNEAPOLIS, MN 55441 1-800-544-7769 (763) 553-7300 (763) 553-0708 fax turck.com	
	MATERIAL DIE CAST ZINC	DRFT RDS APVD A.F.	DATE 01/08/13 SCALE 1=1.8	DESCRIPTION BIM-IKM-AZ3X2 7M SPLICED W/KLI-3	
FINISH	ALL DIMENSIONS DISPLAYED ON THIS DRAWING ARE FOR REFERENCE ONLY	UNIT OF MEASUREMENT <b>INCH [ MILLIMETER ]</b>		IDENTIFICATION NO. M1347293	REV A
CONTACT TURCK FOR MORE INFORMATION		DO NOT SCALE THIS DRAWING		FILE: M1347293	SHEET 1 OF 1

A	DRAWING RELEASE	RDS	01/08/13	
REV	DESCRIPTION	BY	DATE	ECO NO.