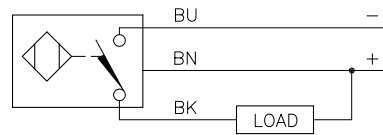


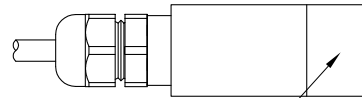
### WIRING DIAGRAM



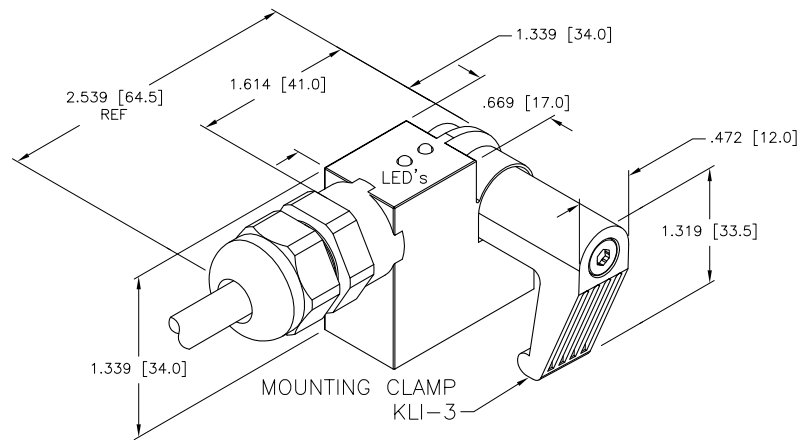
OUTPUT: AN6X2

SHORT-CIRCUIT AND OVERLOAD PROTECTED

### BOTTOM VIEW



ACTIVE SENSING FACE



### SPECIFICATIONS

OPERATING TEMPERATURE	-25°C to +100°C (-13°F to +212°F)
OPERATING VOLTAGE	10-30 VDC
RESIDUAL RIPPLE	≤ 10%
DC RATED OPERATIONAL CURRENT	≤ 100 mA
NO LOAD CURRENT	≤ 15 mA
RESIDUAL CURRENT	≤ 0.1 mA
RATED INSULATION VOLTAGE	≤ 0.5 kV
SHORT CIRCUIT PROTECTION	INCORPORATED
MAX. VOLTAGE DROP	≤ 1.8 V
WIRE-BREAK PROTECTION	INCORPORATED
REVERSE POLARITY PROTECTION	INCORPORATED
OUTPUT FUNCTION	3-WIRE, NORMALLY OPEN, NPN
MAX. SWITCHING FREQUENCY	≤ 0.02 kHz
HOUSING MATERIAL	METAL; GD-Zn
ACTIVE FACE MATERIAL	PLASTIC, PA12-GF30
CABLE	∅5.2, LiYY-T105, PVC
VIBRATION RESISTANCE	55 Hz, (1mm) IN ALL 3 PLANES
SHOCK RESISTANCE	30 g, (11 ms)
DEGREE OF PROTECTION	IP67
OPERATING VOLTAGE INDICATION	LED: GREEN
SWITCHING STATUS INDICATION	LED: YELLOW

### NOTES:

1. "/S100" DESIGNATES HIGH OPERATING TEMPERATURE OF +100°C (+212°F).
2. MOUNTING CLAMP KLI-3 INCLUDED WITH SENSOR.

### SOURCE DRAWING - FOR REFERENCE ONLY

RELATED DOCUMENTS 1. 2. 3. 4.	3RD ANGLE PROJECTION 	THIS DRAWING IS PROPERTY OF TURCK INC. USE OF THIS DOCUMENT WITHOUT WRITTEN PERMISSION IS PROHIBITED.		<b>TURCK INC</b> High Technology Sensors and Automation Controls 3000 CAMPUS DRIVE MINNEAPOLIS, MN 55441 1-800-544-7769 (763) 553-7300 (763) 553-0708 fax turck.com	
	MATERIAL DIE CAST ZINC	DRFT RDS	DATE 05/09/08	DESCRIPTION BIM-IKM-AN6X2/S100 W/KLI-3	
FINISH	ALL DIMENSIONS DISPLAYED ON THIS DRAWING ARE FOR REFERENCE ONLY	DSGN	SCALE 1=1.3	IDENTIFICATION NO. M4627391	
CONTACT TURCK FOR MORE INFORMATION		UNIT OF MEASUREMENT <b>INCH [ MILLIMETER ]</b>		REV A	
DO NOT SCALE THIS DRAWING		FILE: M4627391		SHEET 1 OF 1	

A	DRAWING RELEASE	RDS	05/09/08	
REV	DESCRIPTION	BY	DATE	ECO NO.