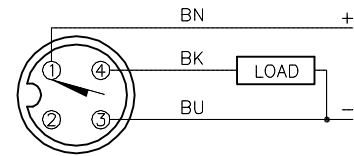


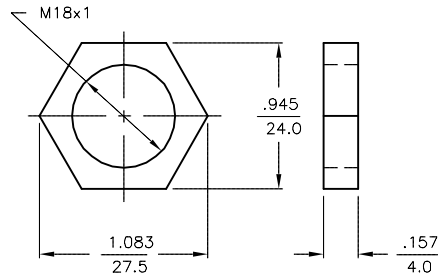
WIRING DIAGRAM



OUTPUT: AP6X

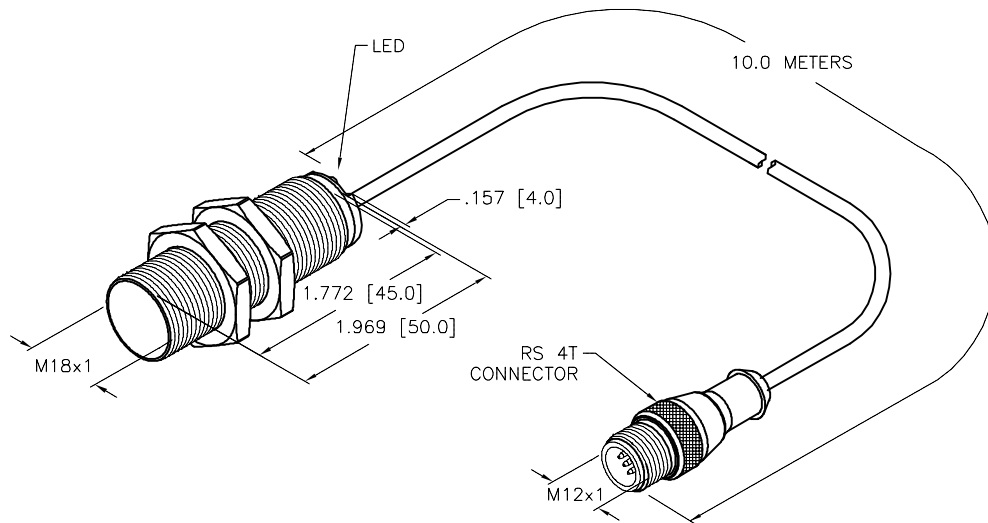
SHORT-CIRCUIT AND OVERLOAD PROTECTED

LOCKNUT LN-M18



SPECIFICATIONS

RATED OPERATING DISTANCE	8mm [.315]
MOUNTING MODE	FLUSH
MIN. REPEAT ACCURACY	≤ 2%
TEMPERATURE DRIFT	≤ ±10%
HYSTERESIS	3-15%
OPERATING TEMPERATURE	-25°C to +70°C (-13°F to +158°F)
RATED OPERATIONAL VOLTAGE	10-30 VDC
RESIDUAL RIPPLE	≤ 10%
DC RATED OPERATIONAL CURRENT	≤ 200 mA
NO-LOAD CURRENT	≤ 15 mA
RESIDUAL CURRENT	≤ 0.1 mA
RATED INSULATION VOLTAGE	≤ 0.5 kV
SHORT-CIRCUIT PROTECTION	YES
MAX. VOLTAGE DROP	≤ 1.8 V
WIRE BREAKAGE PROTECTION	INCORPORATED
REVERSE POLARITY PROTECTION	INCORPORATED
OUTPUT FUNCTION	3-WIRE, NORMALLY OPEN, PNP
MAX. SWITCHING FREQUENCY	≤ 0.5 kHz
HOUSING MATERIAL	BRASS, CHROME PLATED
ACTIVE FACE	PLASTIC, LCP-GF30
END CAP	PLASTIC, EPTR
CABLE	∅5.1, TPU/BLACK
VIBRATION RESISTANCE	55 Hz (IN ALL 3 PLANES)
SHOCK RESISTANCE	30 g, 11 ms
DEGREE OF PROTECTION	IP 67
SWITCHING STATUS INDICATION	LED, YELLOW



NOTES:

1. "/S90" DESIGNATES TPU CABLE JACKET.

SOURCE DRAWING - FOR REFERENCE ONLY

RELATED DOCUMENTS 1. 2. 3. 4.	3RD ANGLE PROJECTION 	THIS DRAWING IS CONFIDENTIAL AND THE PROPERTY OF TURCK INC. USE OF THIS DOCUMENT WITHOUT WRITTEN PERMISSION IS PROHIBITED.		TURCK INC High Technology Sensors and Automation Controls 3000 CAMPUS DRIVE MINNEAPOLIS, MN 55441 1-800-544-7769 (763) 553-7300 (763) 553-0708 fax turck.com	
	MATERIAL SEE NOTE	DRFT RDS APVD	DATE 04/29/08 SCALE 1=1.5	DESCRIPTION BI 8-M18-AP6X-10M-RS 4T/S90	
FINISH SEE NOTE	ALL DIMENSIONS DISPLAYED ON THIS DRAWING ARE FOR REFERENCE ONLY CONTACT TURCK FOR MORE INFORMATION	UNIT OF MEASUREMENT INCH [MILLIMETER]		IDENTIFICATION NO. T4615071	REV D
D UPDATE CABLE USED	RDS 02/19/14	44966	DO NOT SCALE THIS DRAWING		
REV DESCRIPTION	BY DATE ECO NO.	FILE: T4615071		SHEET 1 OF 1	