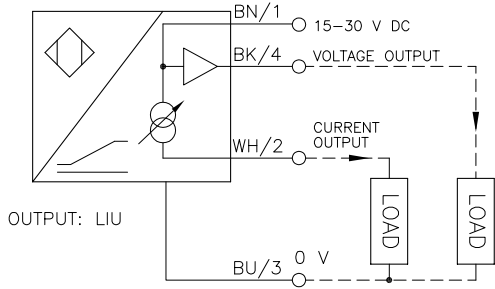
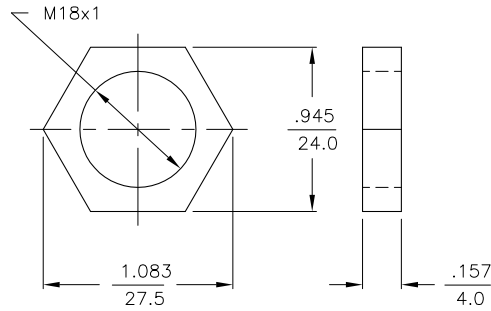


WIRING DIAGRAM

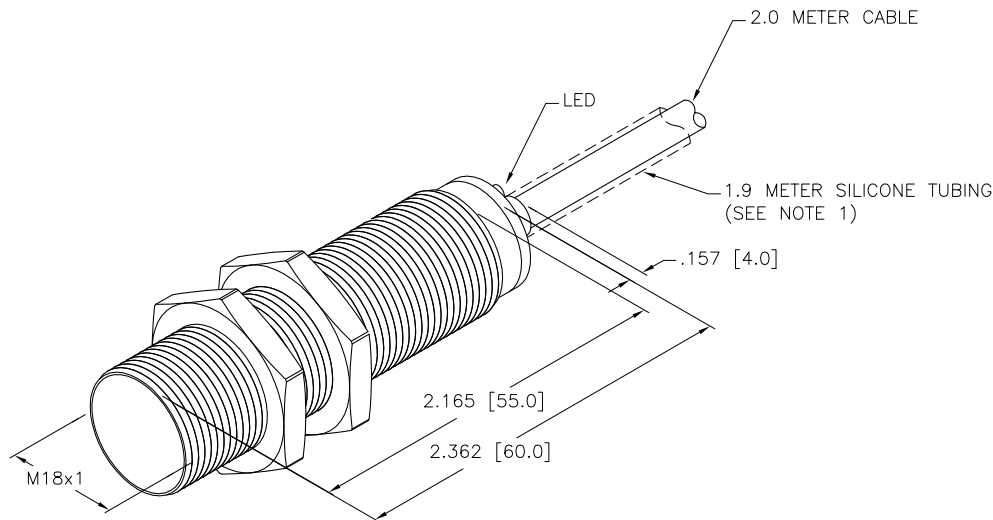


LOCKNUT LN-M18

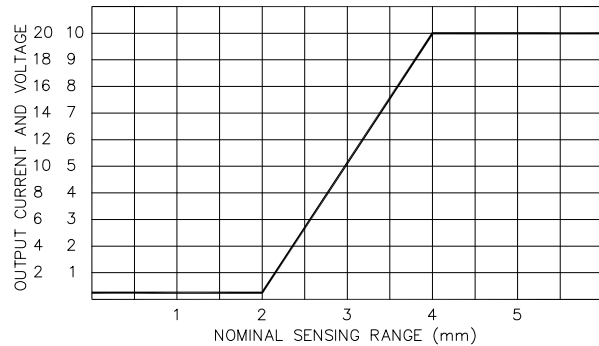


SPECIFICATIONS

OPERATING VOLTAGE	15-30 VDC
RIPPLE	≤ 10%
NO-LOAD CURRENT	≤ 8.0 mA
TARGET (MILD STEEL)	18 mm x 18 mm x 1
VOLTAGE OUTPUT	0-10 V/R <sub>L</sub> ≥ 4.7 kΩ
CURRENT OUTPUT	0-20 mA/R <sub>L</sub> ≤ 500Ω
LINEARITY TOLERANCE	±3% of FULL SCALE
TIME DELAY BEFORE AVAILABILITY	≤ 80 ms
REVERSE POLARITY PROTECTION	INCORPORATED
WIRE-BREAK PROTECTION	INCORPORATED
POWER-ON EFFECT PROTECTION	INCORPORATED
SHORT-CIRCUIT PROTECTED	YES
PROTECTION AGAINST TRANSIENTS	2 kV, 1ms, 1 kΩ
OPERATING TEMPERATURE	-10°C to +70°C (+14°F to +158°F)
ENCLOSURE	MEETS NEMA 1, 3, 4, 6, 13 AND IEC IP67
SHOCK	30 g, 11 ms
VIBRATION	55 Hz, 1 mm AMPLITUDE (IN ALL THREE PLANES)
SENSING RANGE (LINEAR PORTION)	2-4 mm = .079-.157"
REPEATABILITY	≤ 2% of FULL SCALE
EMBEDDABLE (SHIELDED)	YES
TEMPERATURE TOLERANCE	±5% of FULL SCALE
READING RATE FREQUENCY	200 Hz (10%-90% of FULL SCALE)



TYPICAL RESPONSE CURVE



NOTES:

1. "/S1077" DESIGNATES SILICONE TUBING APPLIED OVER CABLE. (LOOSE, NOT ATTACHED)

SOURCE DRAWING - FOR REFERENCE ONLY

RELATED DOCUMENTS 1. 2. 3. 4.	3RD ANGLE PROJECTION	THIS DRAWING IS PROPERTY OF TURCK INC. USE OF THIS DOCUMENT WITHOUT WRITTEN PERMISSION IS PROHIBITED.			3000 CAMPUS DRIVE MINNEAPOLIS, MN 55441 1-800-544-7769 (763) 553-7300 (763) 553-0708 fax turck.com	
			DRFT RDS	DATE 04/09/09	DESCRIPTION BI 5-M18-LIU/S1077	
MATERIAL BRASS BARREL END CAPS MADE OF ABS	ALL DIMENSIONS DISPLAYED ON THIS DRAWING ARE FOR REFERENCE ONLY	DSGN	SCALE 1=1.0	IDENTIFICATION NO. M1536090		REV A
FINISH COPPER/NICKEL/ CHROME PLATING	CONTACT TURCK FOR MORE INFORMATION	UNIT OF MEASUREMENT <b>INCH [ MILLIMETER ]</b>		FILE: M1536090		SHEET 1 OF 1

A	DRAWING RELEASE	RDS	04/09/09	
REV	DESCRIPTION	BY	DATE	ECO NO.