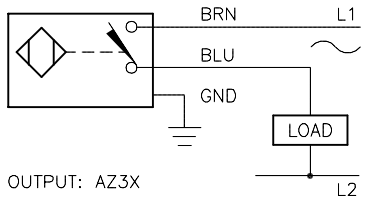


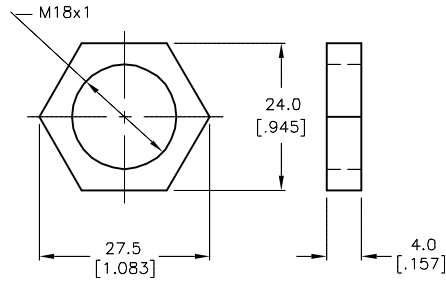
WIRING DIAGRAM



OUTPUT: AZ3X

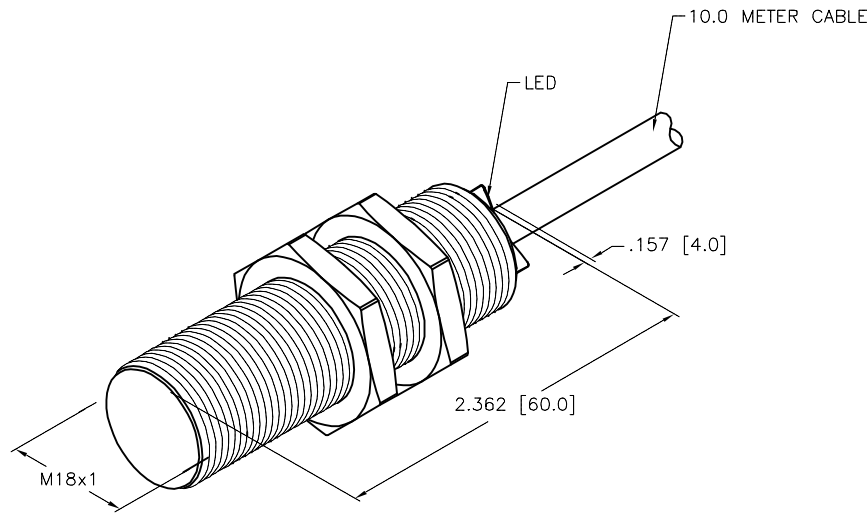
WARNING: NO-SHORT-CIRCUIT PROTECTION.
ALWAYS WIRE A LOAD IN SERIES WITH THE SENSOR.

LOCKNUT LN-SS18



SPECIFICATIONS

| | |
|-----------------------------------|---|
| RATED OPERATING DISTANCE | 5mm [.197"] |
| MOUNTING MODE | FLUSH |
| HYSTERESIS | 3-15% |
| MIN. REPEAT ACCURACY | ≤ 2% |
| TEMPERATURE DRIFT | ≤ ± 10% |
| OPERATING TEMPERATURE | -25°C to +70°C (-13°F to +158°F) |
| RATED OPERATIONAL VOLTAGE (AC/DC) | 20-250 VAC/10-300 VDC |
| RATED OPERATIONAL CURRENT (AC/DC) | ≤ 400 mA/≤ 300 mA |
| MAINS FREQUENCY | 40-60 Hz |
| RESIDUAL CURRENT | ≤ 1.7 mA |
| RATED INSULATION VOLTAGE | ≤ 1.5 kV |
| SURGE CURRENT | ≤ 8.0 A (≤ 10 ms MAX. 5 Hz) |
| MAX. VOLTAGE DROP | ≤ 6 V |
| OUTPUT FUNCTION | 2-WIRE, NORMALLY OPEN, AC/DC SELF-CONTAINED |
| SMALLEST OPERATING CURRENT | ≥ 3 mA |
| MAX. SWITCHING FREQUENCY | ≤ 0.02 kHz |
| HOUSING MATERIAL | SST |
| SHOCK RESISTANCE | 30 g, 11 ms |
| VIBRATION RESISTANCE | 55 Hz, 1 mm AMPLITUDE (IN ALL 3 PLANES) |
| DEGREE OF PROTECTION | IP67 |
| SWITCHING STATUS INDICATION | LED, RED |



SOURCE DRAWING - FOR REFERENCE ONLY

| | | | | | |
|---|-----------------------------|--|------------------------|---|--|
| RELATED DOCUMENTS 1. 2. 3. 4. | 3RD ANGLE PROJECTION | THIS DRAWING IS CONFIDENTIAL AND THE PROPERTY OF TURCK INC. USE OF THIS DOCUMENT WITHOUT WRITTEN PERMISSION IS PROHIBITED. | | 3000 CAMPUS DRIVE MINNEAPOLIS, MN 55441 1-800-544-7769 (763) 553-7300 (763) 553-0708 fax turck.com | |
| | MATERIAL STAINLESS STEEL | ALL DIMENSIONS DISPLAYED ON THIS DRAWING ARE FOR REFERENCE ONLY CONTACT TURCK FOR MORE INFORMATION | DRFT RDS DATE 06/14/11 | DESCRIPTION BI 5-EG18-AZ3X 10M | |
| FINISH | APVD | | SCALE 1=1.0 | IDENTIFICATION NO. T4611197 | |
| DO NOT SCALE THIS DRAWING | | FILE: T4611197 | | SHEET 1 OF 1 | |

| | | | | |
|-----|--|----|----------|---------|
| B | UPDATED OPERATING RANGE DISTANCE PER ECO | TV | 01/06/16 | 52954 |
| REV | DESCRIPTION | BY | DATE | ECO NO. |