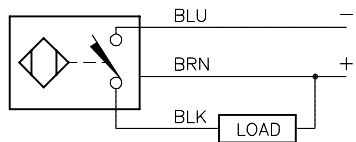


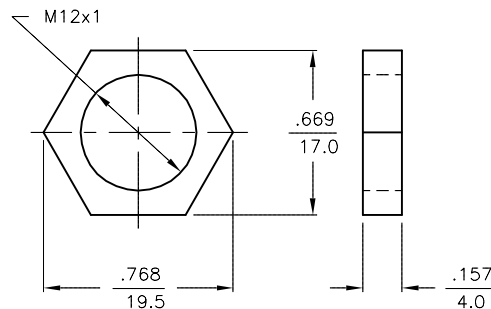
WIRING DIAGRAM



OUTPUT: AN6X

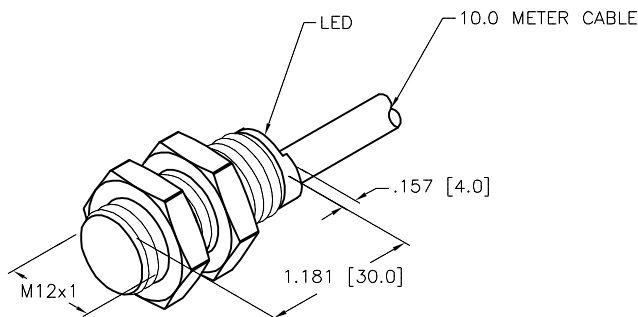
SHORT-CIRCUIT AND OVERLOAD PROTECTED

LOCKNUT LN-M12



SPECIFICATIONS

RATED OPERATING DISTANCE	4mm [.157"]
MOUNTING MODE	FLUSH
MIN. REPEAT ACCURACY	≤ 2%
TEMPERATURE DRIFT	≤ ±10%
HYSTERESIS	3-15%
AMBIENT TEMPERATURE	-25°C to +70°C (-13°F to +158°F)
DC OPERATIONAL CURRENT	≤ 200 mA
NO-LOAD CURRENT	≤ 15 mA
RESIDUAL CURRENT	≤ 0.1 mA
RATED INSULATION VOLTAGE	≤ 0.5 kV
SHORT-CIRCUIT PROTECTION	YES
MAX. VOLTAGE DROP	≤ 1.8 V
WIRE BREAKAGE PROTECTION	INCORPORATED
REVERSE POLARITY PROTECTION	INCORPORATED
OUTPUT FUNCTION	3-WIRE, NORMALLY OPEN, NPN
MAX. SWITCHING FREQUENCY	≤ 2.0 kHz
HOUSING MATERIAL	BRASS, CHROME-PLATED
ACTIVE FACE MATERIAL	PLASTIC, PA12-GF20
CABLE	ø5.1, PVC
VIBRATION RESISTANCE	55 Hz (IN ALL 3 PLANES)
SHOCK RESISTANCE	30 g, 11 ms
DEGREE OF PROTECTION	IP 67
SWITCHING STATUS INDICATION	LED, YELLOW



SOURCE DRAWING - FOR REFERENCE ONLY

RELATED DOCUMENTS 1. 2. 3. 4.	3RD ANGLE PROJECTION 	THIS DRAWING IS CONFIDENTIAL AND THE PROPERTY OF TURCK INC. USE OF THIS DOCUMENT WITHOUT WRITTEN PERMISSION IS PROHIBITED.	TURCK INC High Technology Sensors and Automation Controls 3000 CAMPUS DRIVE MINNEAPOLIS, MN 55441 1-800-544-7769 (763) 553-7300 (763) 553-0708 fax turck.com	
	MATERIAL SEE SPECIFICATIONS	ALL DIMENSIONS DISPLAYED ON THIS DRAWING ARE FOR REFERENCE ONLY	DRFT KMY DATE 02/06/12 APVD J.M. SCALE 1=1.0	DESCRIPTION BI 4-G12K-AN6X 10M
FINISH SEE SPECIFICATIONS	CONTACT TURCK FOR MORE INFORMATION	UNIT OF MEASUREMENT INCH [MILLIMETER]		IDENTIFICATION NO. T1690790
B UPDATE WIRING DIAGRAM TO AN6X RDS 01/23/13 40981	REV DESCRIPTION BY DATE ECO NO.	DO NOT SCALE THIS DRAWING		REV B FILE: T1690790 SHEET 1 OF 1