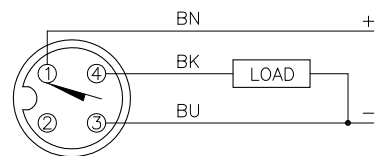


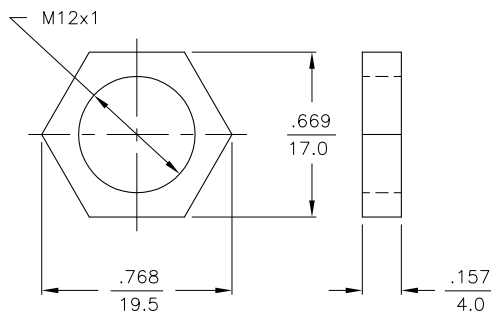
WIRING DIAGRAM



OUTPUT: AP6X

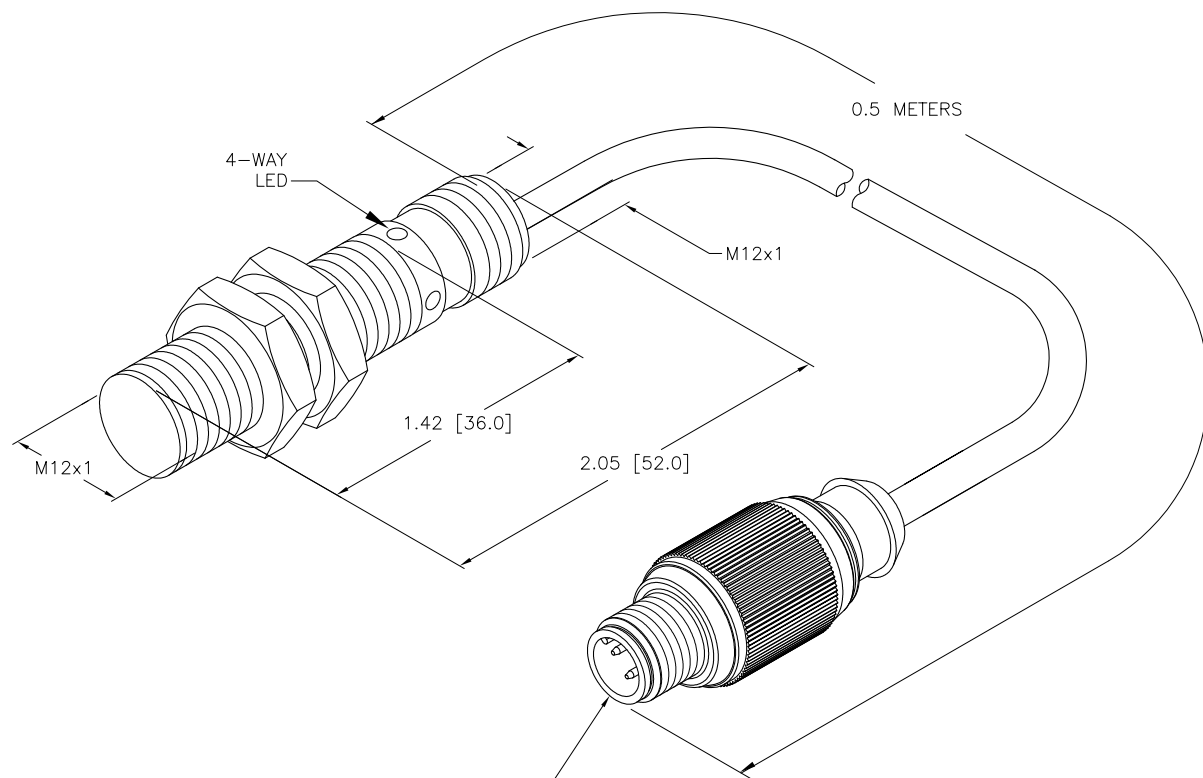
SHORT-CIRCUIT AND OVERLOAD PROTECTED

LOCKNUT LN-SS12



SPECIFICATIONS

RATED OPERATING DISTANCE	4mm = .158" (NOMINAL)
MOUNTING MODE	FLUSH
MIN. REPEAT ACCURACY	≤ 2%
TEMPERATURE DRIFT	≤ ±10% ≤ ±20%, ≤ -25°C, ≥ +70°C
HYSTERESIS	3-15%
OPERATING TEMPERATURE	-40°C to +100°C (-40°F to +212°F)
RATED OPERATIONAL VOLTAGE	10-30 VDC
RESIDUAL RIPPLE	≤ 10%
RATED OPERATIONAL CURRENT	≤ 200 mA
NO-LOAD CURRENT	≤ 15 mA
RESIDUAL CURRENT	≤ 0.1 mA
RATED INSULATION VOLTAGE	≤ 0.5 kV
SHORT-CIRCUIT PROTECTION	INCORPORATED
MAX. VOLTAGE DROP	≤ 1.8 V
WIRE BREAKAGE PROTECTION	INCORPORATED
REVERSE POLARITY PROTECTION	INCORPORATED
OUTPUT FUNCTION	3-WIRE, NORMALLY OPEN, PNP
MAX. SWITCHING FREQUENCY	≤ 2 kHz
HOUSING MATERIAL	METAL, AISI 316L
ACTIVE FACE	PLASTIC, LCP-GF30
CONNECTOR HOUSING MATERIAL	PLASTIC, PP, TRANSPARENT
CABLE	ø5.2, WHITE D12YSL9Y-0B, PP
VIBRATION RESISTANCE	55 Hz, 1 mm AMPLITUDE (IN ALL 3 PLANES)
SHOCK RESISTANCE	30 g, 11 ms
DEGREE OF PROTECTION	IP68/IP69K
SWITCHING STATUS INDICATION	LED, YELLOW
M12 CONNECTOR MOLD MAT'L/COLOR	POLYPROPYLENE/WHITE



RSGV 4T CONNECTOR

SOURCE DRAWING - FOR REFERENCE ONLY

RELATED DOCUMENTS 1. 2. 3. 4.	3RD ANGLE PROJECTION 	THIS DRAWING IS CONFIDENTIAL AND THE PROPERTY OF TURCK INC. USE OF THIS DOCUMENT WITHOUT WRITTEN PERMISSION IS PROHIBITED.		3000 CAMPUS DRIVE MINNEAPOLIS, MN 55441 1-800-544-7769 (763) 553-7300 (763) 553-0708 fax turck.com	
	MATERIAL SEE SPECS	ALL DIMENSIONS DISPLAYED ON THIS DRAWING ARE FOR REFERENCE ONLY	DRFT RDS APVD A.F.	DATE 02/02/12 SCALE 1=1.0	DESCRIPTION BI 4U-EM12WD-AP6X-0.5M-RSGV 4T
FINISH	CONTACT TURCK FOR MORE INFORMATION	UNIT OF MEASUREMENT INCH [MILLIMETER]		IDENTIFICATION NO. M1634811-000	REV A
A DRAWING RELEASE RDS 02/02/12	BY DATE ECO NO.	DO NOT SCALE THIS DRAWING		FILE: M1634811-000	SHEET 1 OF 1

A	DRAWING RELEASE	RDS	02/02/12	
REV	DESCRIPTION	BY	DATE	ECO NO.