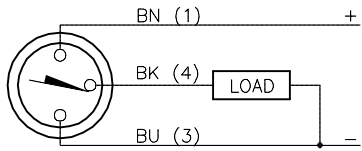
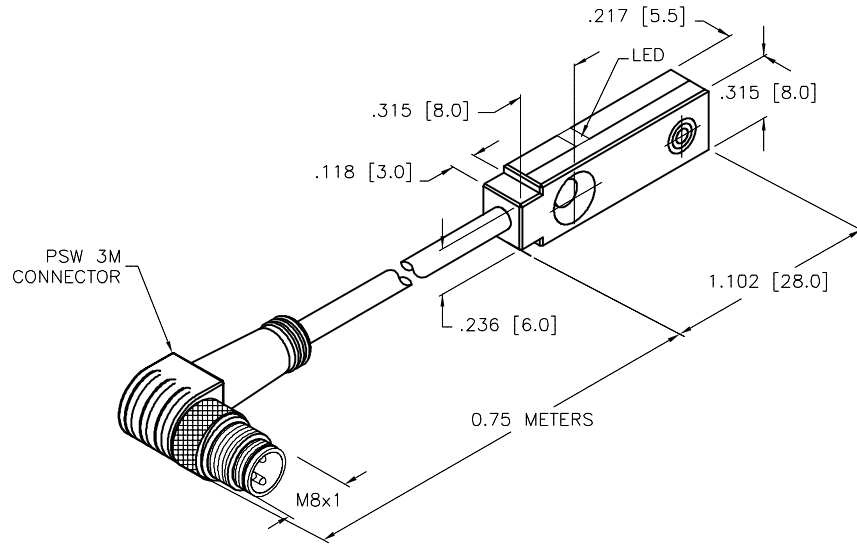


WIRING DIAGRAM



OUTPUT: AP6X

SHORT-CIRCUIT AND OVERLOAD PROTECTED



SPECIFICATIONS

RATED OPERATING DISTANCE	2 mm [.079"]
MOUNTING MODE	FLUSH
REPEATABILITY	≤2%
TEMPERATURE DRIFT	≤ ±10%
HYSTERESIS	3-15%
OPERATING TEMPERATURE	-25°C to +85°C (-13°F to +185°F)
RATED OPERATIONAL VOLTAGE	10-30 VDC
RESIDUAL RIPPLE	≤10%
DC RATED OPERATIONAL CURRENT	≤150 mA
NO-LOAD CURRENT	≤15 mA
RESIDUAL CURRENT	≤0.1 mA
RATED INSULATION VOLTAGE	≤0.5 kV
SHORT-CIRCUIT PROTECTED	YES
VOLTAGE DROP	≤ 1.8 V
WIRE-BREAK PROTECTION	INCORPORATED
REVERSE POLARITY PROTECTION	INCORPORATED
OUTPUT FUNCTION	3-WIRE, NORMALLY OPEN, PNP
SWITCHING FREQUENCY	≤ 2.0 kHz
HOUSING MATERIAL/COLOR	PLASTIC, PP-GF20
ACTIVE FACE	PLASTIC, PP-GF20
CABLE	∅3.0, TPU
VIBRATION RESISTANCE	55 Hz (1mm)
SHOCK RESISTANCE	30 g, (11 ms)
PROTECTION CLASS	IP 67
SWITCHING STATE	LED, YELLOW

SOURCE DRAWING - FOR REFERENCE ONLY

NOTES:

1. "/S34" DESIGNATES WELD FIELD IMMUNITY.

RELATED DOCUMENTS		3RD ANGLE PROJECTION		THIS DRAWING IS CONFIDENTIAL AND THE PROPERTY OF TURCK INC. USE OF THIS DOCUMENT WITHOUT WRITTEN PERMISSION IS PROHIBITED.		 High Technology Sensors and Automation Controls		3000 CAMPUS DRIVE MINNEAPOLIS, MN 55441 1-800-544-7769 (763) 553-7300 (763) 553-0708 fax turck.com	
1. 2. 3. 4.				DRFT KMY		DATE 10/02/13		DESCRIPTION	
MATERIAL		ALL DIMENSIONS DISPLAYED ON THIS DRAWING ARE FOR REFERENCE ONLY		APVD A.F.		SCALE 1=1.0		BI 2-Q5.5-AP6X-0.75M-PSW 3M/S34	
FINISH		CONTACT TURCK FOR MORE INFORMATION		UNIT OF MEASUREMENT		IDENTIFICATION NO.		REV	
SEE SPECIFICATIONS				INCH [MILLIMETER]		S1613001-004		A	
SEE SPECIFICATIONS				DO NOT SCALE THIS DRAWING		FILE: S1613001-004		SHEET 1 OF 1	

A	DRAWING RELEASE	RDS	10/13/15	
REV	DESCRIPTION	BY	DATE	ECO NO.