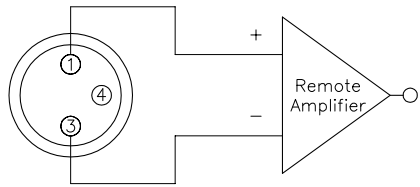


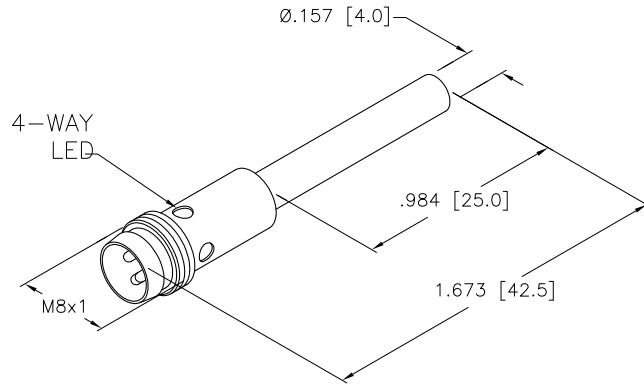
WIRING DIAGRAM



OUTPUT: Y1

SPECIFICATIONS

RATED OPERATING DISTANCE	1mm = .039" (NOMINAL)
MOUNTING MODE	FLUSH
MIN. REPEAT ACCURACY	≤ 2%
TEMPERATURE DRIFT	≤ ±10%
HYSTERESIS	1-10%
AMBIENT TEMPERATURE	-25°C to +70°C (-13°F to +158°F)
OUTPUT FUNCTION	2-WIRE, NAMUR
MAX. SWITCHING FREQUENCY	≤ 5 kHz
VOLTAGE	NOM. 8.2 VDC
NON-ACTUATED CURRENT CONSUMPTION	≥ 2.1 mA
ACTUATED CURRENT CONSUMPTION	≤ 1.2 mA
APPROVAL ACCORDING TO:	KEMA 02 ATEX 1090X
INTERNAL INDUCTANCE(L _i)/CAPACITANCE (C _i)	150 nF/150 μH
MARKING OF DEVICE	II 2 G EEx ia IIC T6 (max. U _i =20 V, I _i = 60 mA, P _i =80 mW)
HOUSING MATERIAL	METAL, A4 1.4404 (AISI 316L)
ACTIVE FACE	PLASTIC, PA12-GF20
CONNECTION	M8x1
VIBRATION RESISTANCE	55 Hz (IN ALL 3 PLANES)
SHOCK RESISTANCE	30 g, 11 ms
DEGREE OF PROTECTION	IP 67
SWITCHING STATUS INDICATION	LED, YELLOW



SOURCE DRAWING - FOR REFERENCE ONLY

RELATED DOCUMENTS		3RD ANGLE PROJECTION		THIS DRAWING IS PROPERTY OF TURCK INC. USE OF THIS DOCUMENT WITHOUT WRITTEN PERMISSION IS PROHIBITED.		 High Technology Sensors and Automation Controls 3000 CAMPUS DRIVE MINNEAPOLIS, MN 55441 1-800-544-7769 (763) 553-7300 (763) 553-0708 fax turck.com	
1.			DRFT RDS		DATE 01/11/07	DESCRIPTION BI 1-EH04-Y1-V1330	
2.			DSGN GN		SCALE 1=.8		
3.		ALL DIMENSIONS DISPLAYED ON THIS DRAWING ARE FOR REFERENCE ONLY	UNIT OF MEASUREMENT		IDENTIFICATION NO. S1003044		REV B
4.			INCH [MILLIMETER]				
MATERIAL		CONTACT TURCK FOR MORE INFORMATION		DO NOT SCALE THIS DRAWING		FILE: S1003044	
FINISH						SHEET 1 OF 1	

B	UPDATE BARREL LENGTH	RDS	02/21/08	20464
REV	DESCRIPTION	BY	DATE	ECO NO.