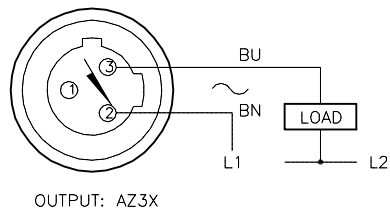


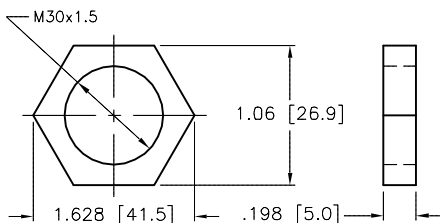
WIRING DIAGRAM



OUTPUT: AZ3X

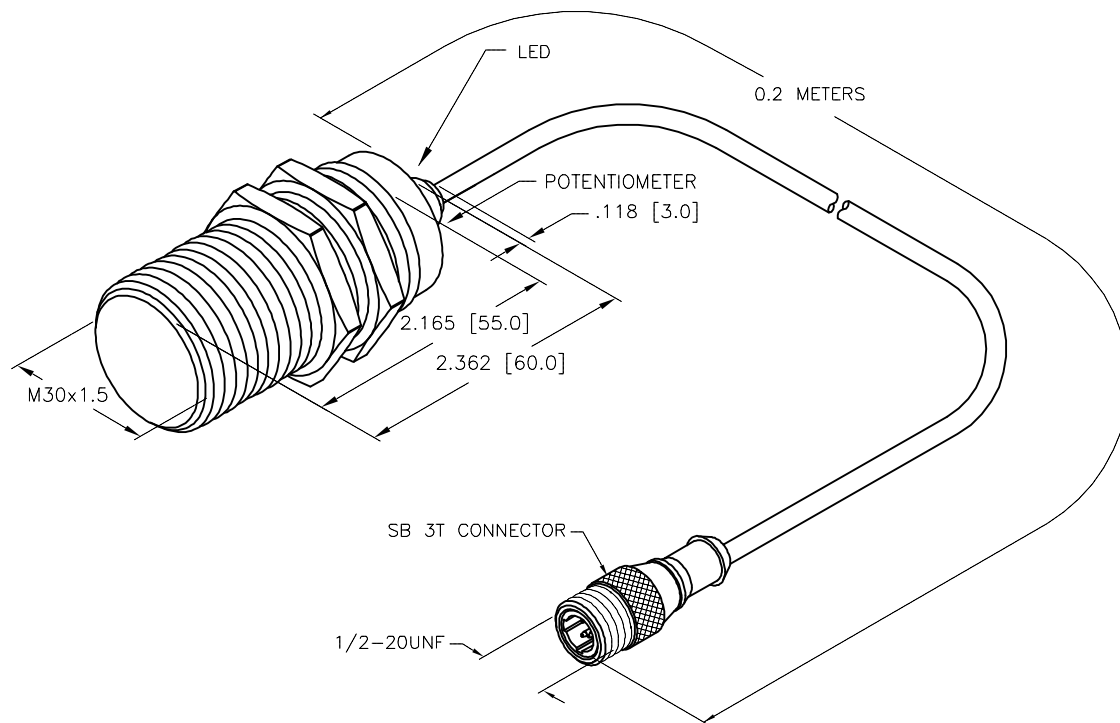
WARNING: NO SHORT-CIRCUIT PROTECTION.

LOCKNUT LN-M30



SPECIFICATIONS

RATED OPERATING DISTANCE	10mm = .394" (FLUSH MOUNTED)
RATED OPERATING DISTANCE	10mm = .394" (NON-FLUSH MOUNTED)
REPEATABILITY	≤ 2%
TEMPERATURE DRIFT	≤ ± 20%
HYSTERESIS	2-20%
AMBIENT TEMPERATURE	-25°C to +70°C (-13°F to +158°F)
OPERATING VOLTAGE	20-250 VAC
AC RATED OPERATIONAL CURRENT	≤ 500 mA
FREQUENCY	50-60 Hz
SMALLEST OPERATING CURRENT	≥ 5 mA
RESIDUAL CURRENT	≤ 0.1 mA
SWITCHING FREQUENCY	≤ 0.02 kHz
RATED INSULATION VOLTAGE	≤ 1.5 kV
OUTPUT FUNCTION	2-WIRE, NO, 2-WIRE
VOLTAGE DROP	≤ 7.0 V
ACTIVE FACE	PLASTIC, PA12-GF30
CABLE	Ø5.2, PVC
VIBRATION RESISTANCE	55 Hz (IN ALL 3 PLANES)
SHOCK RESISTANCE	30 g, 11 ms
PROTECTION DEGREE	IP67
SWITCHING STATUS INDICATION	LED; YELLOW



SOURCE DRAWING - FOR REFERENCE ONLY

RELATED DOCUMENTS 1. 2. 3. 4.	3RD ANGLE PROJECTION 	THIS DRAWING IS CONFIDENTIAL AND THE PROPERTY OF TURCK INC. USE OF THIS DOCUMENT WITHOUT WRITTEN PERMISSION IS PROHIBITED.		3000 CAMPUS DRIVE MINNEAPOLIS, MN 55441 1-800-544-7769 (763) 553-7300 (763) 553-0708 fax turck.com	
	MATERIAL	ALL DIMENSIONS DISPLAYED ON THIS DRAWING ARE FOR REFERENCE ONLY	DRFT KMY APVD K.H.	DATE 02/04/13 SCALE 1=1.5	DESCRIPTION BC10-M30K-AZ3X-0.2M-SB 3T
FINISH	CONTACT TURCK FOR MORE INFORMATION	UNIT OF MEASUREMENT INCH [MILLIMETER]		IDENTIFICATION NO. M2503031-000	REV A
A DRAWING RELEASE REV DESCRIPTION	KMY 02/05/13 BY DATE ECO NO.	DO NOT SCALE THIS DRAWING		FILE: M2503031-000	SHEET 1 OF 1

A	DRAWING RELEASE	KMY	02/05/13	
REV	DESCRIPTION	BY	DATE	ECO NO.