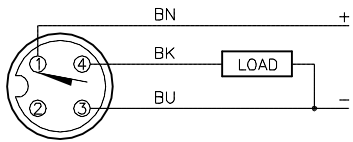
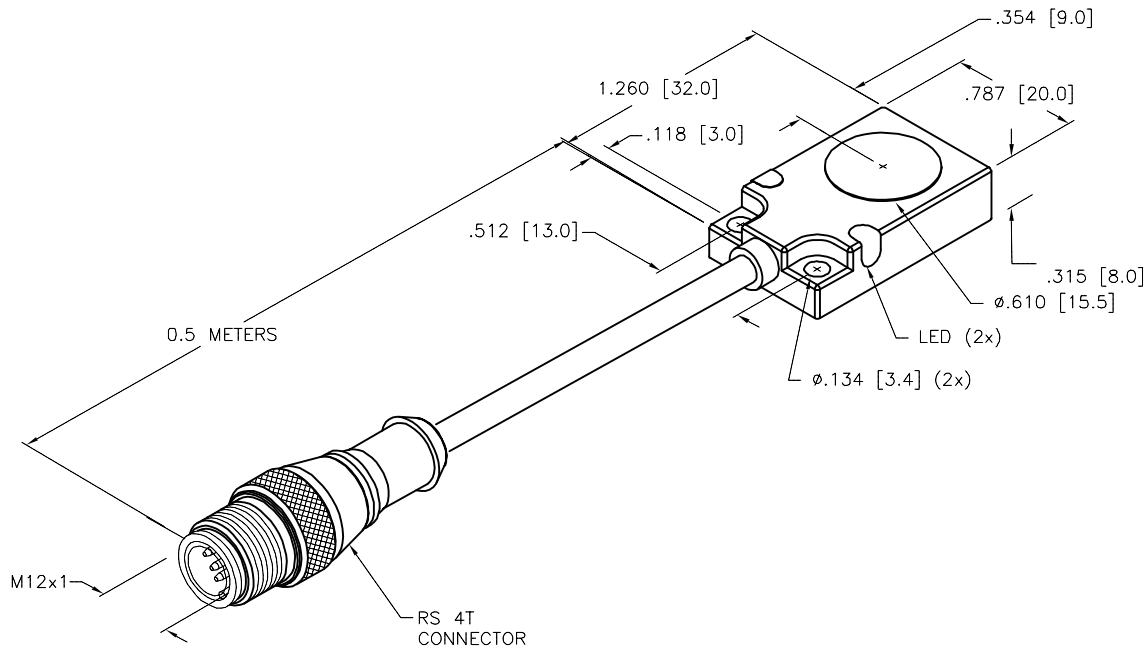


WIRING DIAGRAM



OUTPUT: AP6X2

SHORT-CIRCUIT AND OVERLOAD PROTECTED



SPECIFICATIONS

|                              |   |
|------------------------------|---|
| RATED OPERATING DISTANCE     | 5mm = .197" (NOMINAL)                   |
| MOUNTING MODE                | FLUSH or NON-FLUSH                      |
| TEMPERATURE DRIFT            | ≤±20%                                   |
| HYSTERESIS                   | 2-20%                                   |
| MIN. REPEAT ACCURACY         | ≤ 2%                                    |
| OPERATING TEMPERATURE        | -25°C to +70°C (-13°F to +158°F)        |
| RATED OPERATIONAL VOLTAGE    | 10-30 VDC                               |
| RESIDUAL RIPPLE              | ≤10%                                    |
| DC RATED OPERATIONAL CURRENT | ≤ 200 mA                                |
| NO-LOAD CURRENT              | ≤ 15 mA                                 |
| RESIDUAL CURRENT             | ≤ 0.1 mA                                |
| MAX. SWITCHING FREQUENCY     | ≤ 0.1 kHz                               |
| RATED INSULATION VOLTAGE     | ≤ 0.5 kV                                |
| OUTPUT FUNCTION              | NORMALLY OPEN, 3-WIRE, PNP              |
| SHORT-CIRCUIT PROTECTED      | YES                                     |
| MAX. VOLTAGE DROP            | ≤ 1.8 V                                 |
| REVERSE POLARITY PROTECTION  | INCORPORATED                            |
| WIRE-BREAK PROTECTION        | INCORPORATED                            |
| HOUSING MATERIAL             | METAL, GD-ZN, BLACK                     |
| ACTIVE FACE MATERIAL         | PLASTIC, PA12-GF30                      |
| CABLE                        | ø4.0, LifYY, PVC                        |
| SHOCK                        | 30 g, 11 ms                             |
| VIBRATION                    | 55 Hz, 1 mm AMPLITUDE (IN ALL 3 PLANES) |
| DEGREE OF PROTECTION         | IP67                                    |
| OPERATING VOLTAGE DISPLAY    | LED: GREEN                              |
| SWITCHING STATUS INDICATION  | LED: YELLOW                             |

| CABLE LENGTH | TOLERANCE*  |
|--------------|---|
| ALL LENGTHS  | + 4% (OR 50mm) OF LENGTH<br>- 0% (OR 0mm) OF LENGTH<br>WHICHEVER IS GREATER |
| STRIP LENGTH | TOLERANCE*  |
| 0-7mm        | ±0.5mm  |
| 8-29mm       | ±1.0mm  |
| 30-49mm      | ±2.0mm  |
| 50-69mm      | ±3.0mm  |
| 70-100mm     | ±4.0mm  |
| OVER 100mm   | ±5.0mm  |

\* UNLESS OTHERWISE SPECIFIED

NOTES:

1. "/S250" DESIGNATES CAPACITIVE SENSOR WITH FIXED CALIBRATION.

SOURCE DRAWING - FOR REFERENCE ONLY

|                   |   |  |       |  |          |
|-------------------|---|--|-------|--|----------|
| RELATED DOCUMENTS | 3RD ANGLE PROJECTION  | THIS DRAWING IS CONFIDENTIAL AND THE PROPERTY OF TURCK INC. USE OF THIS DOCUMENT WITHOUT WRITTEN PERMISSION IS PROHIBITED. |       | <b>TURCK INC</b><br>High Technology Sensors and Automation Controls<br>3000 CAMPUS DRIVE<br>MINNEAPOLIS, MN 55441<br>1-800-544-7769<br>(763) 553-7300<br>(763) 553-0708 fax<br>turck.com |          |
| 1.                |   | DRFT   | RDS   | DATE   | 04/28/10 |
| 2.                |   | APVD   |       | SCALE  | 1=1.0    |
| 3.                |   | UNIT OF MEASUREMENT  |       | DESCRIPTION  |          |
| 4.                |   | INCH [ MILLIMETER ]  |       | BC 5-Q08-AP6X2-0.5M-RS 4T/S250   |          |
| MATERIAL          | ALL DIMENSIONS DISPLAYED ON THIS DRAWING ARE FOR REFERENCE ONLY | CONTACT TURCK FOR MORE INFORMATION   |       | IDENTIFICATION NO. S2620092  |          |
| FINISH            | DO NOT SCALE THIS DRAWING                                       |  | REV C |  |          |
|                   |   | FILE: S2620092   |       | SHEET 1 OF 1   |          |

|     |                   |    |          |         |
|-----|-------------------|----|----------|---------|
| C   | UPDATE CABLE O.D. | NF | 03/18/16 | 54015   |
| REV | DESCRIPTION       | BY | DATE     | ECO NO. |