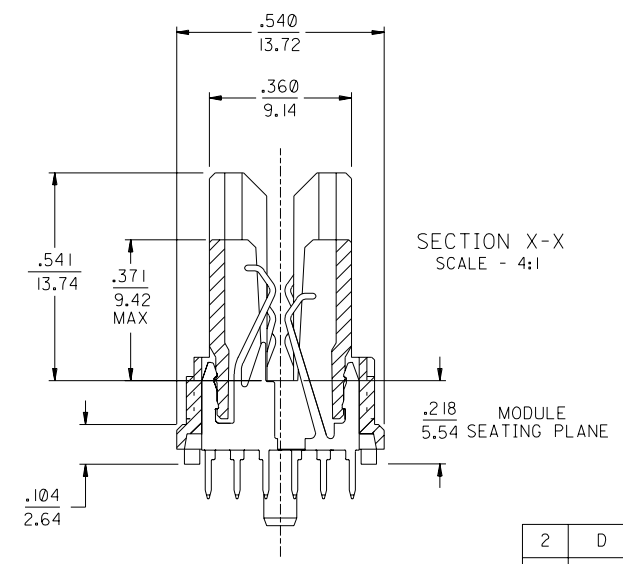
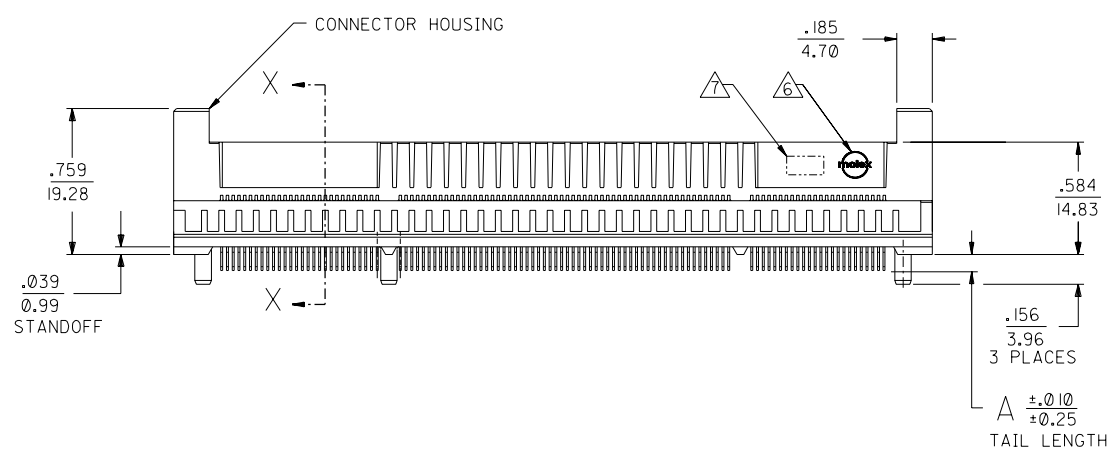
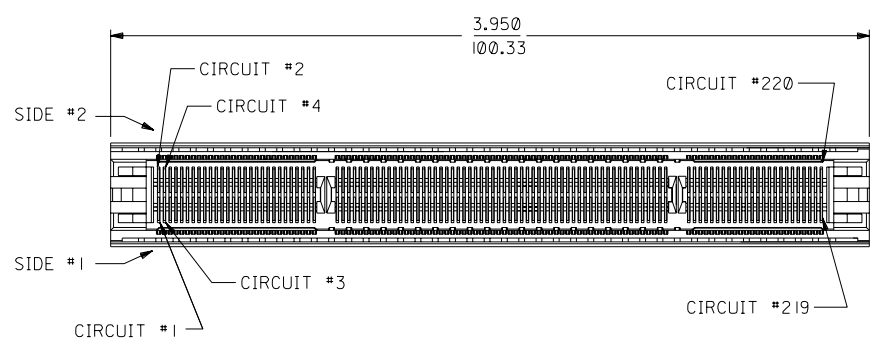


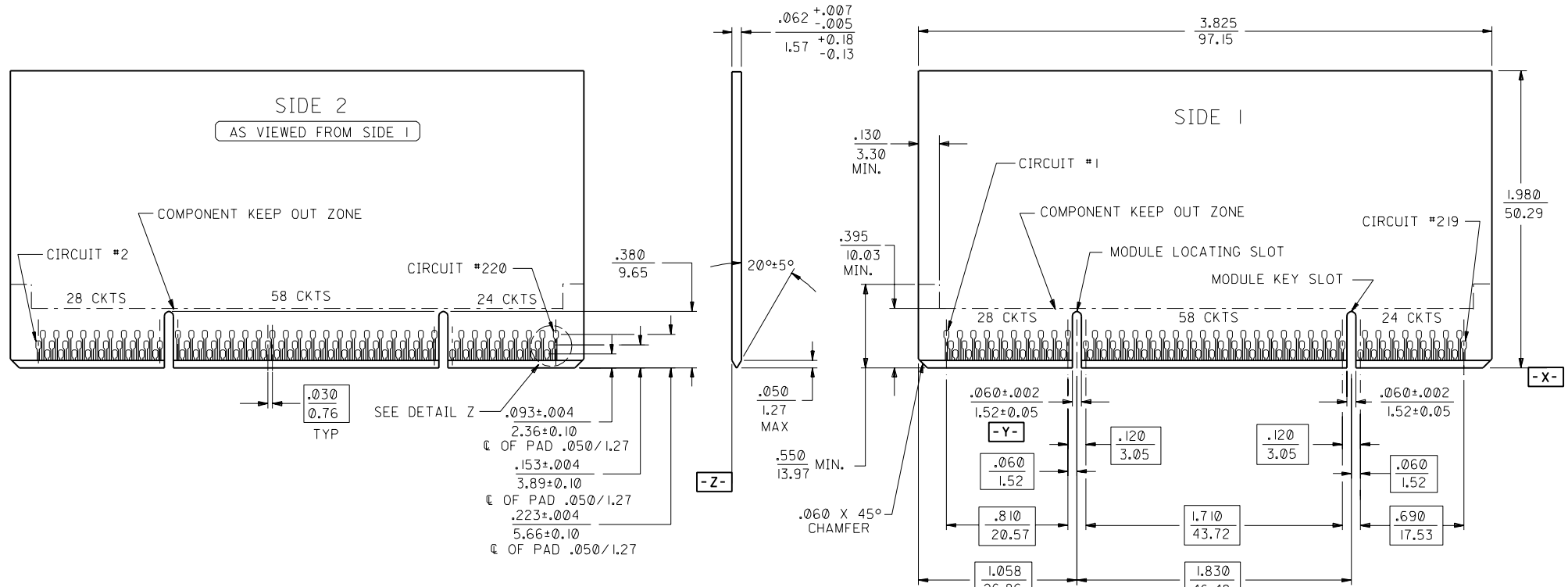
NOTES:

- MATERIALS:
HOUSING - LCP, 30% GLASS FILLED, 94-V0, BLACK.
TERMINALS - PHOSPHOR BRONZE.
- FINISH:
TERMINALS - .00030/0.00076 MINIMUM GOLD IN THE CONTACT AREA AND .000075/0.0019 MINIMUM TIN IN SOLDER TAIL AREA OVER .000050/0.0013 MINIMUM NICKEL OVERALL.
- PRODUCT SPECIFICATION PS-71109-9999 APPLIES.
- CARD SLOT ACCEPTS .062 +.007/-.005 P.C. BOARD.
- THE RECOMMENDED PLATING SPECIFICATION FOR THE MATING PC BOARD IS .00030/0.0076 MINIMUM GOLD OVER .000075/0.0019 MINIMUM NICKEL.
- MOLEX LOGO SHALL APPEAR ON BOTH SIDES OF HOUSING, AND LOCATED APPROXIMATELY AS SHOWN.
- FOUR DIGIT DATE CODE (YR/WK) SHALL BE LOCATED APPROXIMATELY AS SHOWN.
- THE PRIMARY SHIPPING CARTON WILL BE LABELED "COMPLIANT TO ROHS DIRECTIVE 2002/95/EC AND ELV ANNEX II OF DIRECTIVE 2000/53/EC". CARTONS WITHOUT THIS LABEL MAY CONTAIN PRODUCT WITH LEAD.

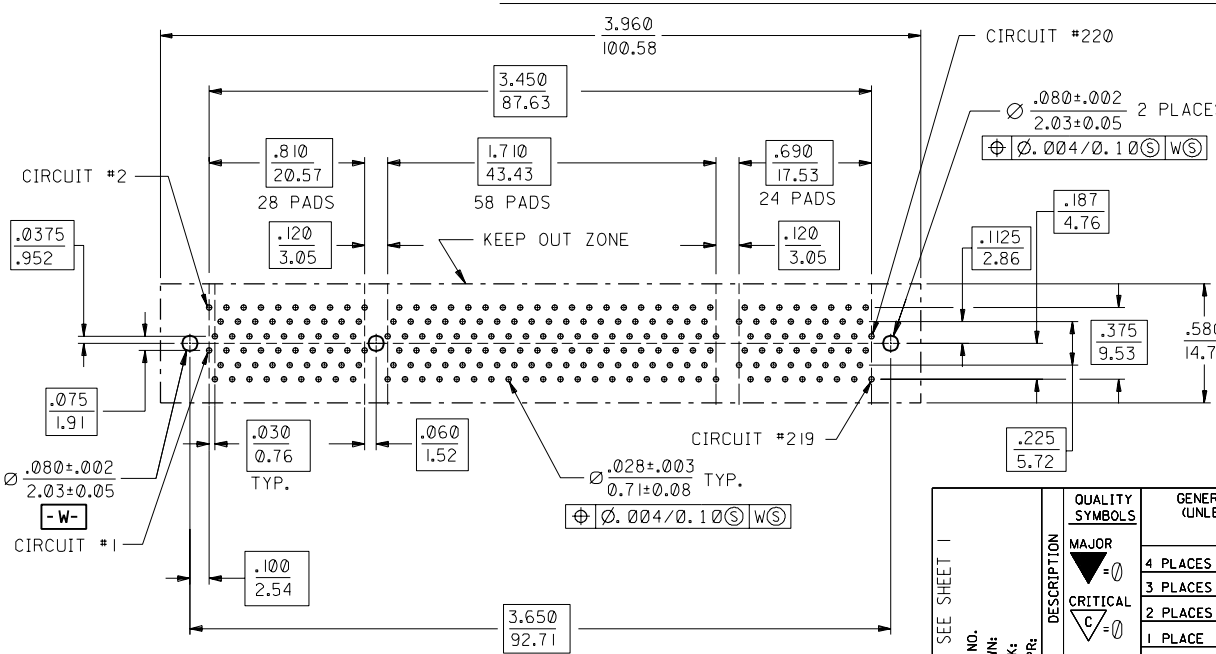


71109-2003	.140/3.56
71109-2002	.115/2.92
71109-2001	.090/2.29
MAT'L NUMBER	A

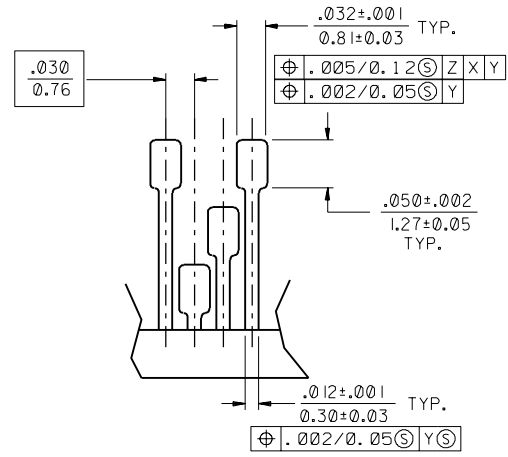
PLATING CHANGE EC NO. UCP2004-2347 DRAWN: WHITE 04/05/21 CHK: BBARKER 04/05/21 APPR: SMILLER 04/05/21	QUALITY SYMBOLS MAJOR $\nabla = 0$ CRITICAL $\nabla C = 0$	GENERAL TOLERANCES: (UNLESS SPECIFIED) mm INCH 4 PLACES ±0. ±. 3 PLACES ±0. ±.005 2 PLACES ±0.13 ±. 1 PLACE ±0. ±. ANGULAR: ± 1°	SCALE 2 : 1 DESIGN UNITS <input type="checkbox"/> mm <input checked="" type="checkbox"/> INCH DRAWN BY & DATE NELSON 06/20/97 CHECKED BY & DATE NELSON 06/20/97 APPROVED BY & DATE FUNCK 06/20/97	DIMENSIONS: <input type="checkbox"/> mm <input checked="" type="checkbox"/> INCH <input type="checkbox"/> mm ONLY THIRD ANGLE PROJECTION	TITLE: SALES ASSEMBLY 220 CKT "HiSpec" CONNECTOR THRU-HOLE W/ PLASTIC PEGS MOLEX INCORPORATED	SHT 2 REV D
	CAD FILENAME S7110962.S01	MATERIAL NO. SEE TABLE	DRAWING NO. SD-71109-202	SHEET NO. 1 OF 2		
	DRAFT WHERE APPLICABLE MUST REMAIN WITHIN DIMENSIONS				THIS DRAWING CONTAINS INFORMATION THAT IS PROPRIETARY TO MOLEX INCORPORATED AND SHOULD NOT BE USED WITHOUT WRITTEN PERMISSION.	
	REV F					SIZE C



RECOMMENDED MODULE BOARD LAYOUT



RECOMMENDED PCB HOLE LAYOUT



DETAIL Z

SCALE 10:1

EC NO. D	DRAWN BY CHK: APPR:	DESCRIPTION	QUALITY SYMBOLS		GENERAL TOLERANCES: (UNLESS SPECIFIED)	SCALE 2 : 1	DESIGN UNITS <input type="checkbox"/> mm <input checked="" type="checkbox"/> INCH	THIRD ANGLE PROJECTION <input type="checkbox"/> INCH <input checked="" type="checkbox"/> mm <input type="checkbox"/> ONLY	SHT	REV
			MAJOR =0	CRITICAL =0					4 PLACES ±0.	±.
					3 PLACES ±0.	±.005	NELSON 06/20/97	APPROVED BY & DATE FUNCK 06/20/97		MATERIAL NO. SEE TABLE
					2 PLACES ±0.13	±.		DRAWING NO. SD-71109-202		SHEET NO. 2
					1 PLACE ±0.	±.		MATERIAL NO. SEE TABLE		SIZE C
					ANGULAR: ± 1 °			DRAWING NO. SD-71109-202		
DRAFT WHERE APPLICABLE MUST REMAIN WITHIN DIMENSIONS						CAD FILENAME S7110962.S02				
THIS DRAWING CONTAINS INFORMATION THAT IS PROPRIETARY TO MOLEX INCORPORATED AND SHOULD NOT BE USED WITHOUT WRITTEN PERMISSION.										