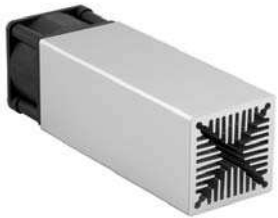
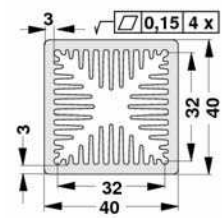
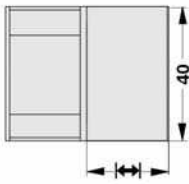
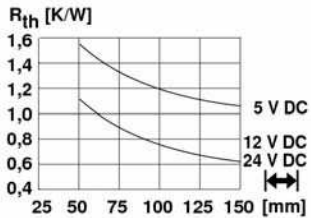



Miniature cooling aggregates

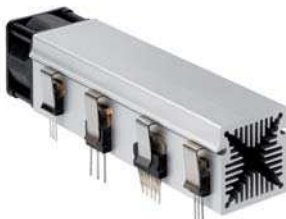
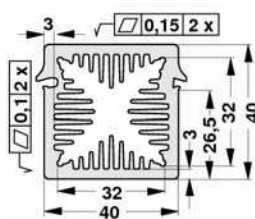
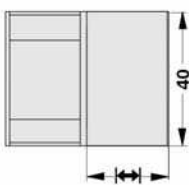
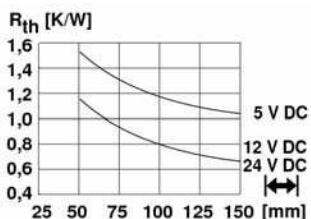

- compact design
- homogeneous heat dissipation
- mounting possible on any side
- powerful axial-fan motor

art. no.				
LAM 4 ...				
please indicate:	... 		... fan type	
	50 75 100 125 150 mm		5 = 5 V DC	
			12 = 12 V DC	
			24 = 24 V DC	

special designs and processing according to customers requirements

surface: clear anodised, other surfaces treatment on request!

- mit Nute für Transistorhaltefeder THFU → A 116...
- compact design
- homogeneous heat dissipation
- mounting possible on any side
- powerful axial-fan motor

art. no.				
LAM 4 K ...				
please indicate:	... 		... fan type	
	50 75 100 125 150 mm		5 = 5 V DC	
			12 = 12 V DC	
			24 = 24 V DC	

special designs and processing according to customers requirements

surface: clear anodised, other surfaces treatment on request!

Technical data of the fans

	... 5	... 12	... 24
type	ebmpapst 405	ebmpapst 412 JHH	ebmpapst 414 JHH
dimensions	40 x 40 x 20 mm	40 x 40 x 25 mm	40 x 40 x 25 mm
voltage	5 V DC	12 V DC	24 V DC
power input	0.9 W	3.3 W	3.6 W
max. air flow	10 m ³ /h	24 m ³ /h	24 m ³ /h
temper. range	-20 °C ... +70 °C	-20 °C ... +60 °C	-20 °C ... +60 °C
noise level	18 dB(A)	46 dB(A)	46 dB(A)
rated speed	6,000 min ⁻¹	13,000 min ⁻¹	13,000 min ⁻¹
weight	27 g	50 g	50 g
failure rate (L₁₀)	L ₁₀ > 50.000 h (40 °C) L ₁₀ > 20.000 h (tmax)	L ₁₀ > 57.500 h (40 °C) L ₁₀ > 35.000 h (tmax)	L ₁₀ > 57.500 h (40 °C) L ₁₀ > 35.000 h (tmax)

Other fan types and fan voltages on request.

D 11

Thermal conductive material
Mounting material for semiconductor.
Mounting pads for transistors
Lock-in transistor fixing spring

→ E 2 - 15
→ E 35 - 39
→ E 38
→ A 116

Insulating clamping parts
Fluid cooler
Lamella heatsinks

→ E 36
→ A 129 - 132
→ A 127