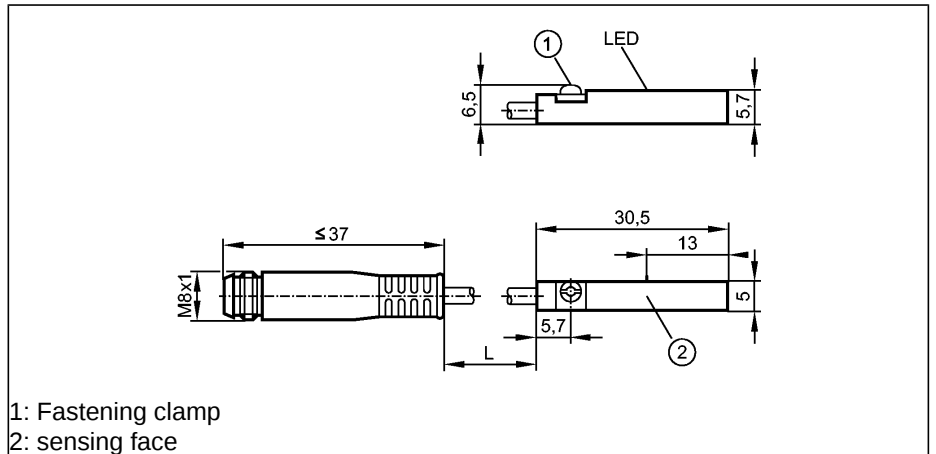


Magnetic sensors, cylinder sensors

MR0101

MRT2021BAKO/R/0.3M/ZH/AS
 Cylinder sensor with reed contact
 Plastic housing for T-slot cylinders
 Cable with connector
 flush mountable
 Magnetic sensitivity 2.1 mT
 Travel speed > 10 m/s



1: Fastening clamp
 2: sensing face

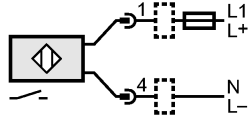
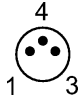
Made in Germany



Electrical design	AC/DC PNP/NPN normally open
Output	
Operating voltage [V]	5...60 DC / 5...50 AC; (for UL supply class 2: 5...60 DC / 5...30 AC)
Current rating [mA]	100 *)
Short-circuit proof	no
Reverse polarity protection	yes
Overload protection	no
Voltage drop [V]	< 5
Switching power (max.) [W]	10
Switching cycles when connected to PLC [million]	≤ 40
Hysteresis [mm]	1
Repeatability [mm]	± 0.2
Make time incl. bounce [ms]	≤ 0.6
Fall time [ms]	≤ 0.1
Switching frequency [Hz]	1000
Ambient temperature [°C]	-25...70
Protection	IP 67, III
EMC	EN 61000-4-2 ESD: - CD / 8 kV AD EN 61000-4-3 HF radiated: 10 V/m (80...2000 MHz) EN 61000-4-4 Burst: 2 kV EN 61000-4-5 Surge: 1 kV (line to line, Ri: 20Ω) EN 61000-4-6 HF conducted: 10 V (0.15...80 MHz) EN 55011: class B
MTTF [Years]	11303
Housing materials	housing: PA (polyamide); Fastening clamp: stainless steel
Function display	
Switching status	LED yellow
Connection	PUR cable / 0.3 m; with M8 connector (snap-fit)
Weight [kg]	0.012
Remarks	*) External protective circuit for inductive load (valve, contactor, etc.) necessary. Clamping screw with combined slot/hexagon socket head AF 1.5 No LED function in case of polarity reversal in DC operation. UL - Class 2 source required
Accessories (included)	rubber placeholder, cable clip

MR0101

Wiring



Note: miniature fuse to IEC60127-2 sheet 1,
≤ 0.175 A (fast acting)