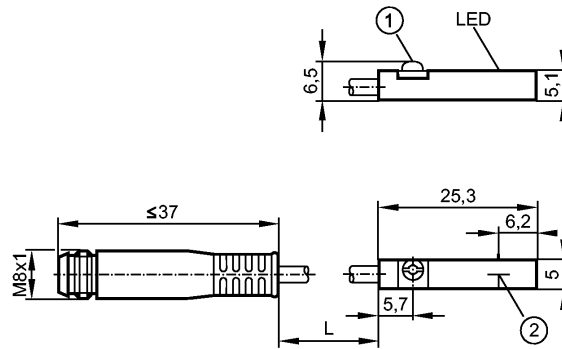


MK5101

MKT3028BBPKG/G/0.3M/ZH/AS

Magnetic sensors, cylinder sensors



1: Fastening clamp
2: sensing face



Product characteristics

Cylinder sensor with GMR cell

Plastic housing for T-slot cylinders

Cable with connector

[f] flush mountable

Magnetic sensitivity 2.8 mT

Travel speed > 10 m/s

Electrical data

Electrical design		DC PNP
Operating voltage	[V]	10...30 DC; "supply class 2" to cULus.
Current consumption	[mA]	< 10
Protection class		III
Reverse polarity protection		yes
Power-on delay time	[ms]	< 30

Outputs

Output function		normally open
Voltage drop	[V]	< 2.5
Current rating	[mA]	100
Short-circuit protection		yes
Overload protection		yes
Switching frequency	[Hz]	10000

Range

Magnetic sensitivity	[mT]	2.8
Travel speed	[m/s]	> 10

Accuracy / deviations

Hysteresis	[mm]	< 1.5
Repeatability	[mm]	< 0.2

Environment

Ambient temperature	[°C]	-25...85
Protection		IP 65 / IP 67

Tests / approvals

EMC		EN 61000-4-2 ESD: - CD / 8 kV AD EN 61000-4-3 HF radiated: 10 V/m
-----	--	--

MK5101

MKT3028BBPKG/G/0.3M/ZH/AS

Magnetic sensors, cylinder sensors

	EN 61000-4-4 Burst:	2 kV
	EN 61000-4-6 HF conducted:	10 V
	EN 55011:	class B
MTTF	[Years]	3694

Mechanical data

Mounting	flush mountable
Housing materials	housing: PA (polyamide); Fastening clamp: stainless steel
Weight	[kg] 0.012

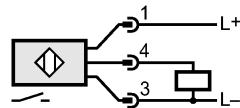
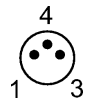
Displays / operating elements

Output status indication	LED	yellow
--------------------------	-----	--------

Electrical connection

Connection	PUR cable / 0.3 m; with M8 connector (snap-fit)
------------	---

Wiring



Accessories

Accessories (included)	rubber placeholder; cable clip
------------------------	--------------------------------

Remarks

Remarks	Clamping screw with combined slot/hexagon socket head AF 1.5
---------	--

Pack quantity	[piece] 1
---------------	-----------