

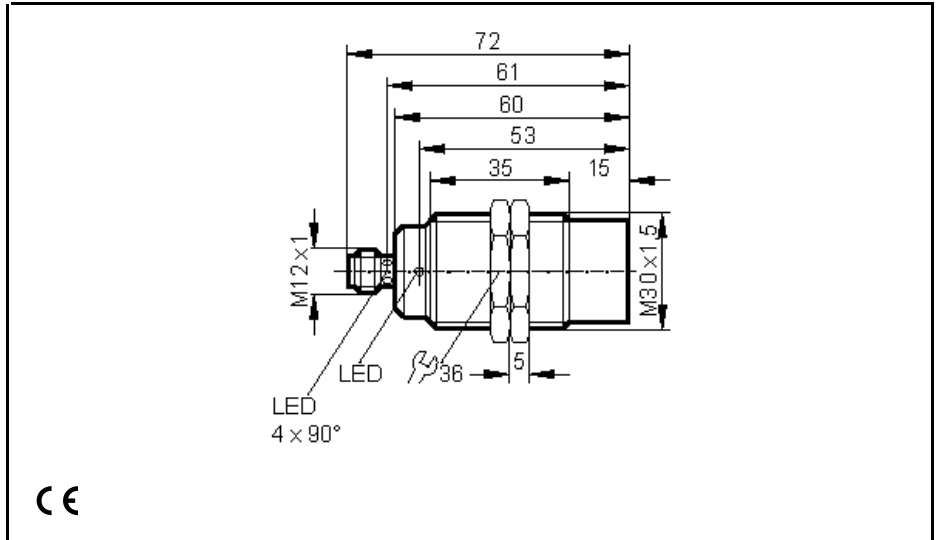
Inductive proximity switches

II5861

IIK2022-FRKG/US
Metal thread M30x1,5
Plug and socket

Increased sensing range
Optical setting aid (2 LED)

Sensing range 22mm [nf]
non-flush mountable



Electrical design Output

2-wire DC PNP/NPN normally open / closed programmable


| |
|--|
| Operating voltage [V] |
| Current rating [mA] |
| Minimum load current [mA] |
| Short-circuit protection |
| Reverse polarity protection / Overload protection |
| Voltage drop [V] |
| Leakage current [mA] |
| Switching frequency [Hz] |

| |
|--------------|
| 10 ... 36 DC |
| 100 |
| 4 |
| • |
| • |
| < 4,6 |
| < 1 |
| 200 |

| |
|-------------------------|
| Operating distance [mm] |
| Hysteresis [% / Sr] |
| Correction factors |

| |
|---|
| 0 ... 17,6 |
| 3 ... 20 |
| mild steel = 1 / stainless steel approx. 0.72 / brass approx. 0.5 / Al approx. 0.48 / Cu approx. 0.42 |

| |
|---|
| Function display Switching status LED setting aid LED |
| Operating temperature [°C] |
| Protection |
| EMC |
| Housing material |
| Connection |

| |
|---|
| yellow (4x90°) red |
| -25 ... +70 |
| IP 67  |
| EN 60947-5-2; EN 55011 class B |
| special coated brass; CO-PC |
| M12 connector |

| |
|--------|
| Wiring |
|--------|

