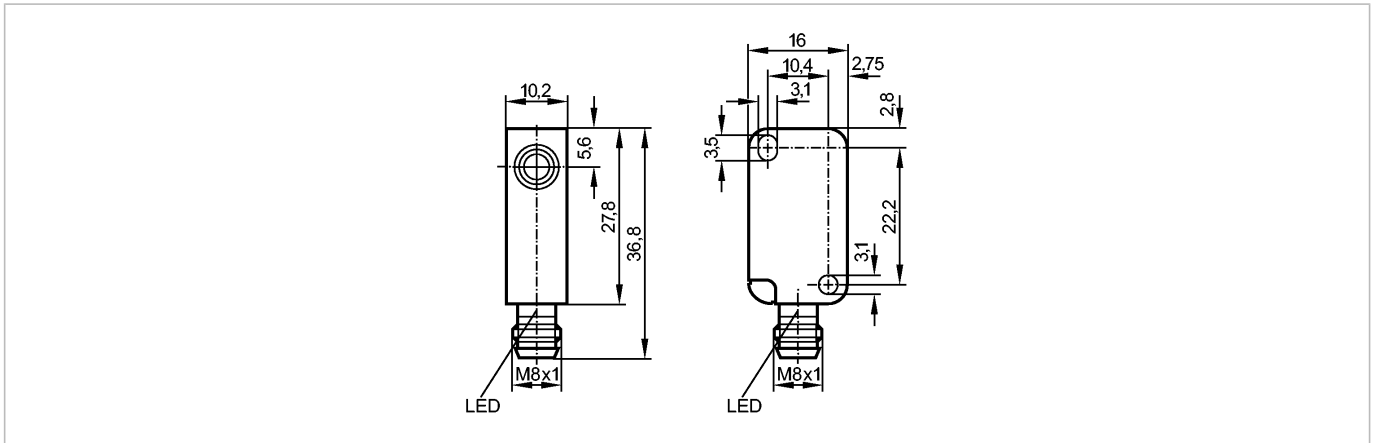


IS5035

IS-3002-BPOG/AS-510

Inductive sensors



Made in Germany

Product characteristics

Inductive sensor

Rectangular, plastics

Connector

Sensing range 2 mm; [f] flush mountable

Electrical data

Electrical design	DC PNP
Operating voltage [V]	10...36 DC; "supply class 2" to cULus.
Current consumption [mA]	15 (24 V)
Protection class	III
Reverse polarity protection	no

Outputs

Output function	normally open
Voltage drop [V]	< 1
Current rating [mA]	200
Short-circuit protection	no
Overload protection	no
Switching frequency [Hz]	800

Range

Sensing range [mm]	2
Real sensing range (Sr) [mm]	2 ± 10 %
Operating distance [mm]	0...1.6

Accuracy / deviations

Correction factors	mild steel = 1 / stainless steel approx. 0.7 / brass approx. 0.4 / Al approx. 0.3 / Cu approx. 0.2
Hysteresis [% of Sr]	1...15
Switch-point drift [% of Sr]	-10...10

Environment

Ambient temperature [°C]	-25...80
Protection	IP 67

Tests / approvals

EMC	EN 60947-5-2 EN 55011: class B
-----	-----------------------------------

IS5035

IS-3002-BPOG/AS-510

Inductive sensors

MTTF	[Years]	3523
------	---------	------

Mechanical data

Mounting		flush mountable
Housing materials		PBT
Tightening torque	[Nm]	< 0.5 (with washer)
Weight	[kg]	0.012

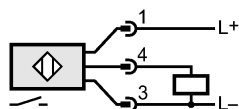
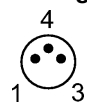
Displays / operating elements

Output status indication	LED	yellow
--------------------------	-----	--------

Electrical connection

Connection		M8 connector
------------	--	--------------

Wiring



Remarks

Pack quantity	[piece]	1
---------------	---------	---